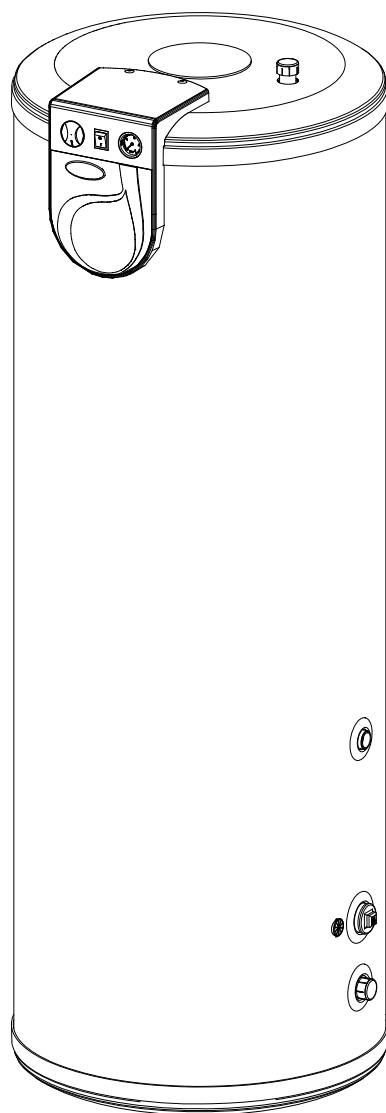


INSTALLATION AND OPERATING INSTRUCTIONS

- ↳ SANIT 300
- ↳ SANIT 500
- ↳ SANIT 750
- ↳ SANIT 1000
- ↳ SANIT 1000 SBH



DOMUSA
T E K N I K

Thank you for choosing a **DOMUSA TEKNIK** product. From the range of **DOMUSA TEKNIK** products you have chosen the **Sanit** model, a stainless steel hot water tank for producing domestic hot water (DHW) by means of a coil, which together with a **DOMUSA TEKNIK** heating boiler will provide the ideal level of comfort for your home, provided it is accompanied by a suitable hydraulic installation.

This manual forms an essential part of the product and it must be given to the user. Read the warnings and recommendations in the manual carefully, as they contain important information on the safety, use and maintenance of the installation.

These hot water tanks are to be installed by skilled personnel only, in accordance with the legislation in force and following the manufacturer's instructions.

The start-up of these hot water tanks and any maintenance operations must only be carried out by **DOMUSA TEKNIK's** Authorised Technical Assistance Services.

Incorrect installation of these hot water tanks could result in damage to people, animals or property, and the manufacturer will hold no liability in such cases.

CONTENTS

	Page
1 PRECAUTIONS.....	2
1.1 FROST PRECAUTIONS	2
2 LIST OF COMPONENTS	3
3 CONTROL COMPONENTS	8
4 INSTALLATION INSTRUCTIONS.....	9
4.1 CONNECTION	9
4.2 EQUIPMENT:.....	9
4.3 HYDRAULIC INSTALLATION	10
4.4 LOCATION	10
4.5 EQUIPMENT / OPTIONS	11
4.5.1 CATHODIC PROTECTION.....	11
4.5.2 ELECTRICAL ELEMENT.....	11
4.5.3 18L DHW EXPANSION TANK.....	11
4.5.4 1" DIELECTRIC SLEEVES	12
4.5.5 DHW SAFETY VALVE	12
5 OPERATION.....	13
6 DIAGRAM AND ELECTRICAL CONNECTION.....	13
6.1 ELECTRICAL DIAGRAM.....	13
6.2 ELECTRICAL CONNECTION TO THE BOILER	14
6.3 DIAGRAMS FOR CONNECTION TO DOMUSA TEKNIK BOILERS:.....	14
6.4 INSTRUCTIONS FOR ELECTRICAL CONNECTION OF THE SANIT STORAGE HEATER TO THE FOLLOWING BOILERS:.....	14
7 MAINTENANCE	16
8 START-UP.....	16
9 DELIVERY OF THE INSTALLATION	16
10 DRAINING THE TANK	17
11 SPARES LIST	18
11.1 HOT WATER TANK.....	18
ELECTRICAL BOARD	23
12 DIAGRAMS AND MEASUREMENTS.....	24
13 TECHNICAL CHARACTERISTICS	26
14 GUARANTEE CONDITIONS.....	27

Sanit

1 PRECAUTIONS

Sanit hot water tanks must be installed by qualified staff in compliance with applicable regulations.

Any work must be carried out by the official Technical Assistance Service, as any changes to its configuration could cause functioning errors and could damage the system and its surrounding environment.

This appliance can be used by children aged from 8 years and above and persons with reduced physical, sensory or mental capabilities or lack of experience and knowledge if they have been given supervision or instruction concerning use of the appliance in a safe way and understand the hazards involved. Children shall not play with the appliance. Cleaning and user maintenance shall not be made by children without supervision.

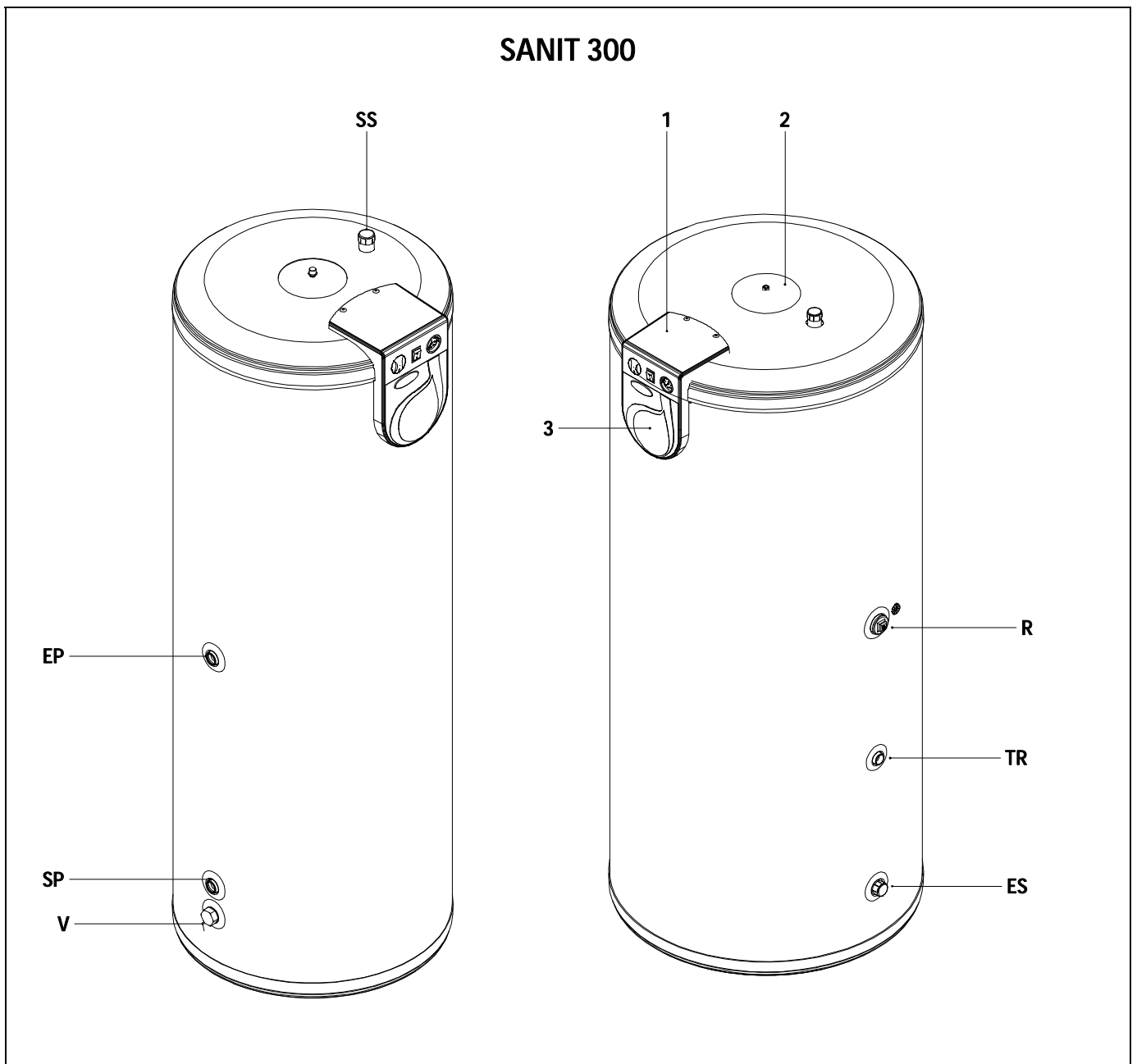
The electrical main power supply connection must respect the current legislation, making possible a complete disconnection of the tank, in order to make any maintenance operation safely. Look "Diagram and electrical connection" chapter.

1.1 Frost precautions

When there is danger of frost, and particularly in areas with very low temperatures, precautions will need to be taken to prevent damage to the installation. It is recommendable to add anti-freeze to the water in the primary circuit of the tank. The anti-freeze used must be compatible with public health regulations and it must not be toxic. DOMUSA TEKNIK recommends the use of propylene glycol, consulting the product manufacturer before use.

If the installation is to be out of use for a long period, **drain all the water from the tank.**

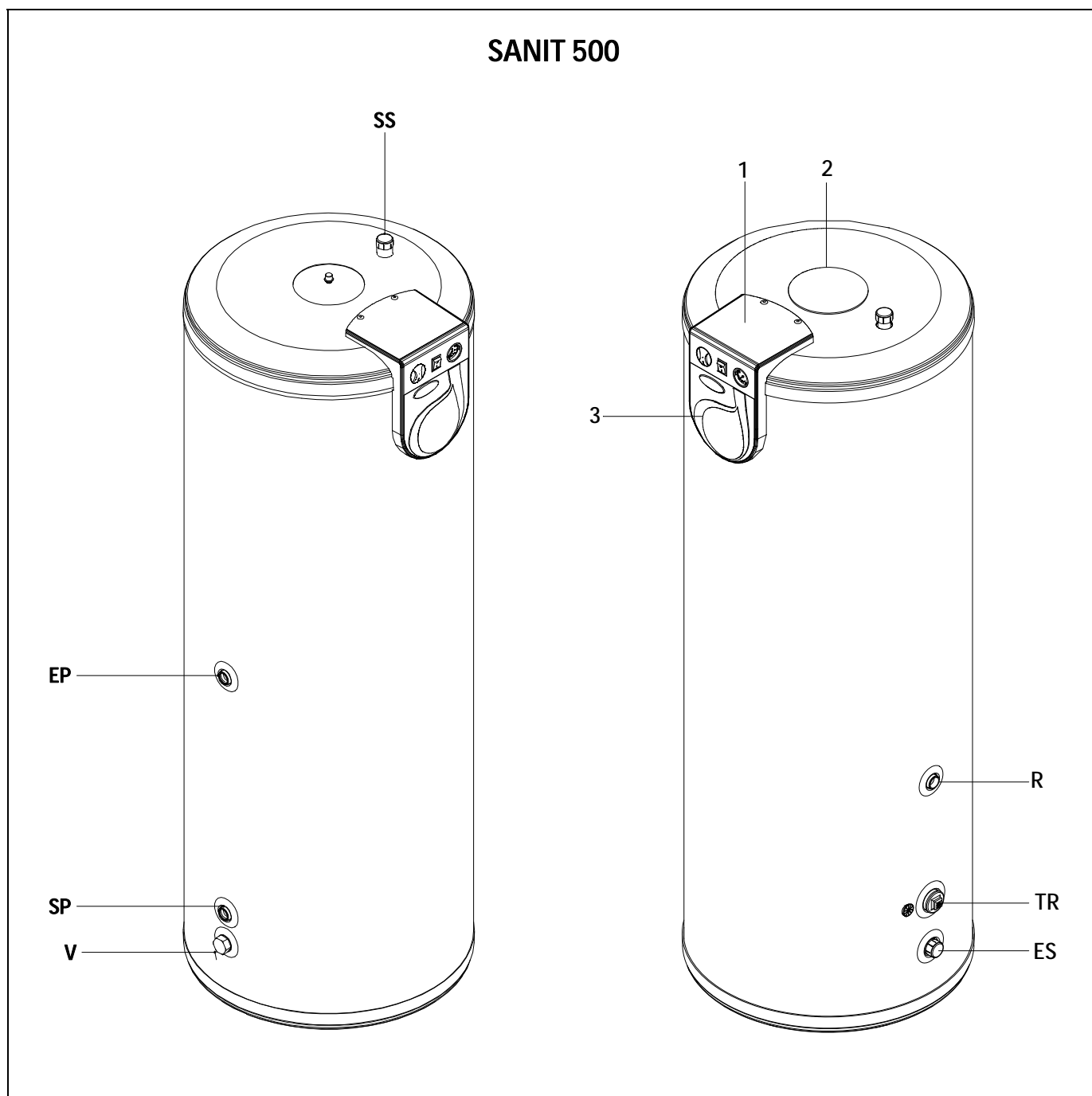
2 LIST OF COMPONENTS



- 1. Front cover.
- 2. Bridge cover.
- 3. Control panel.

- SP:** Primary outlet.
- EP:** Primary inlet.
- ES:** Domestic cold water inlet.
- SS:** Domestic hot water outlet.
- TR:** Resistance socket.
- R:** Recirculation intake.
- V:** Drainage.

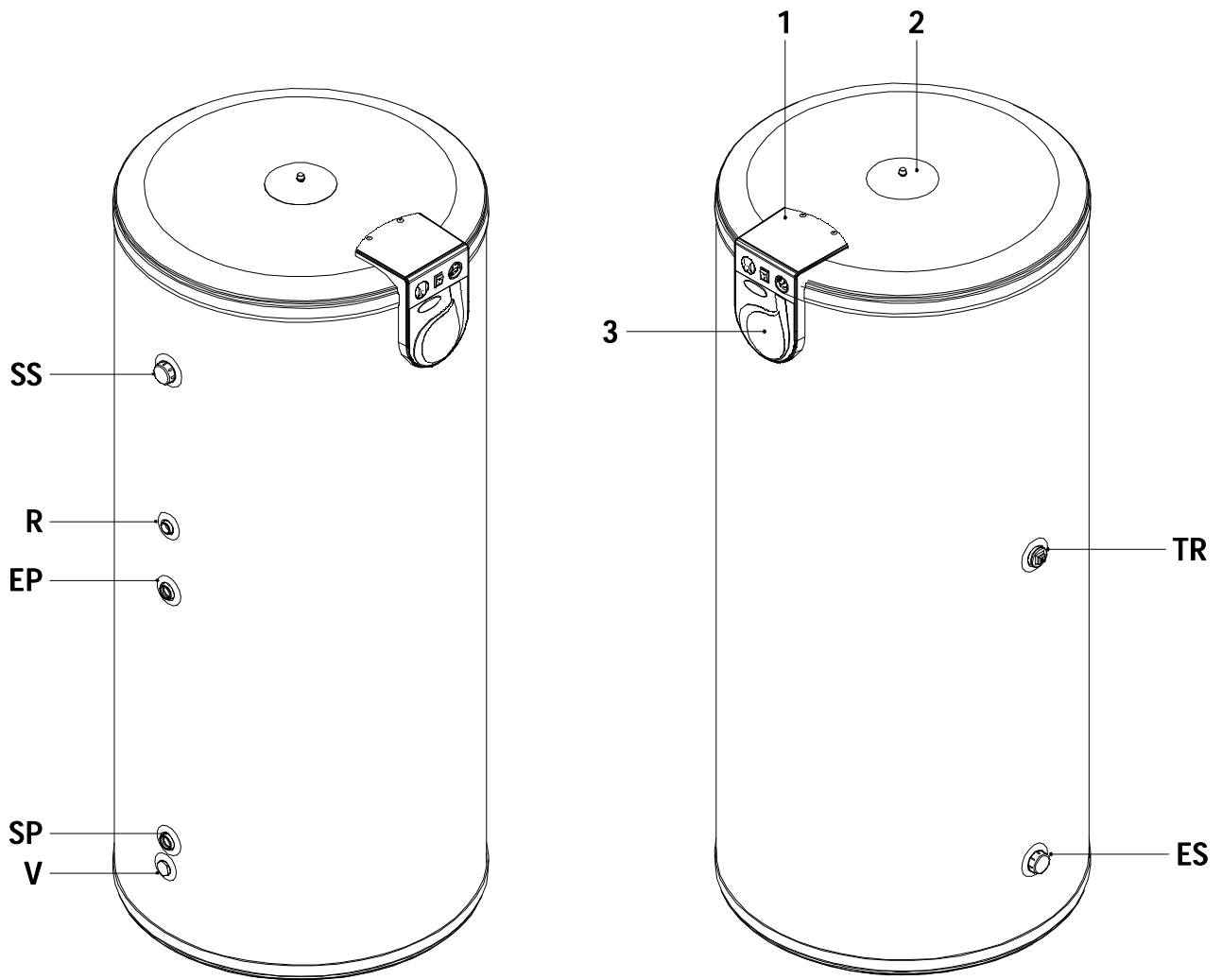
SANIT 500



1. Front cover.
2. Bridge cover.
3. Control panel.

- SP:** Primary outlet.
EP: Primary inlet.
ES: Domestic cold water inlet.
SS: Domestic hot water outlet.
TR: Resistance socket.
R: Recirculation intake.
V: Drainage.

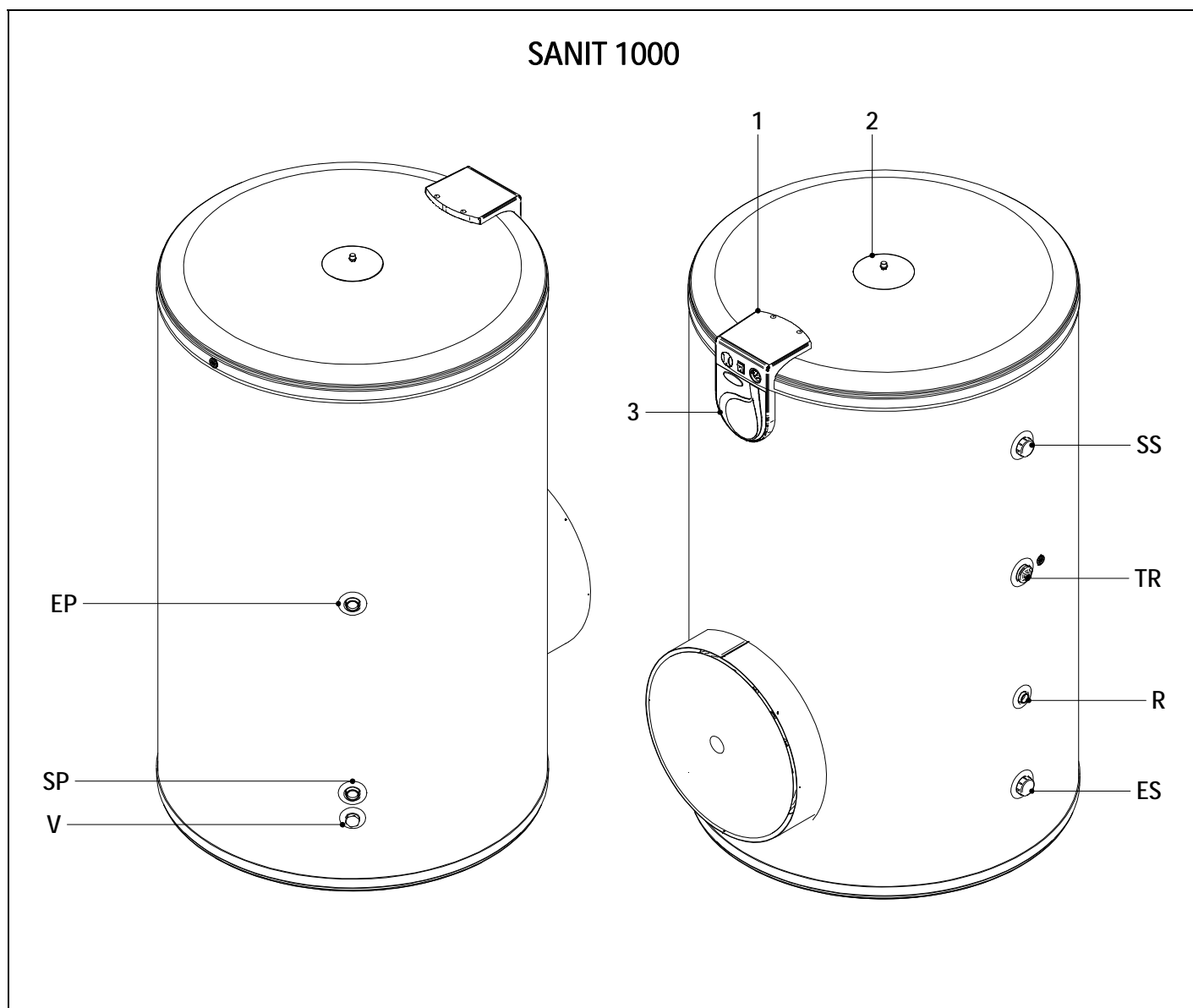
SANIT 750



- 1. Front cover.
- 2. Bridge cover.
- 3. Control panel.

- SP: Primary outlet.
- EP: Primary inlet.
- ES: Domestic cold water inlet.
- SS: Domestic hot water outlet.
- TR: Resistance socket.
- R: Recirculation intake.
- V: Drainage.

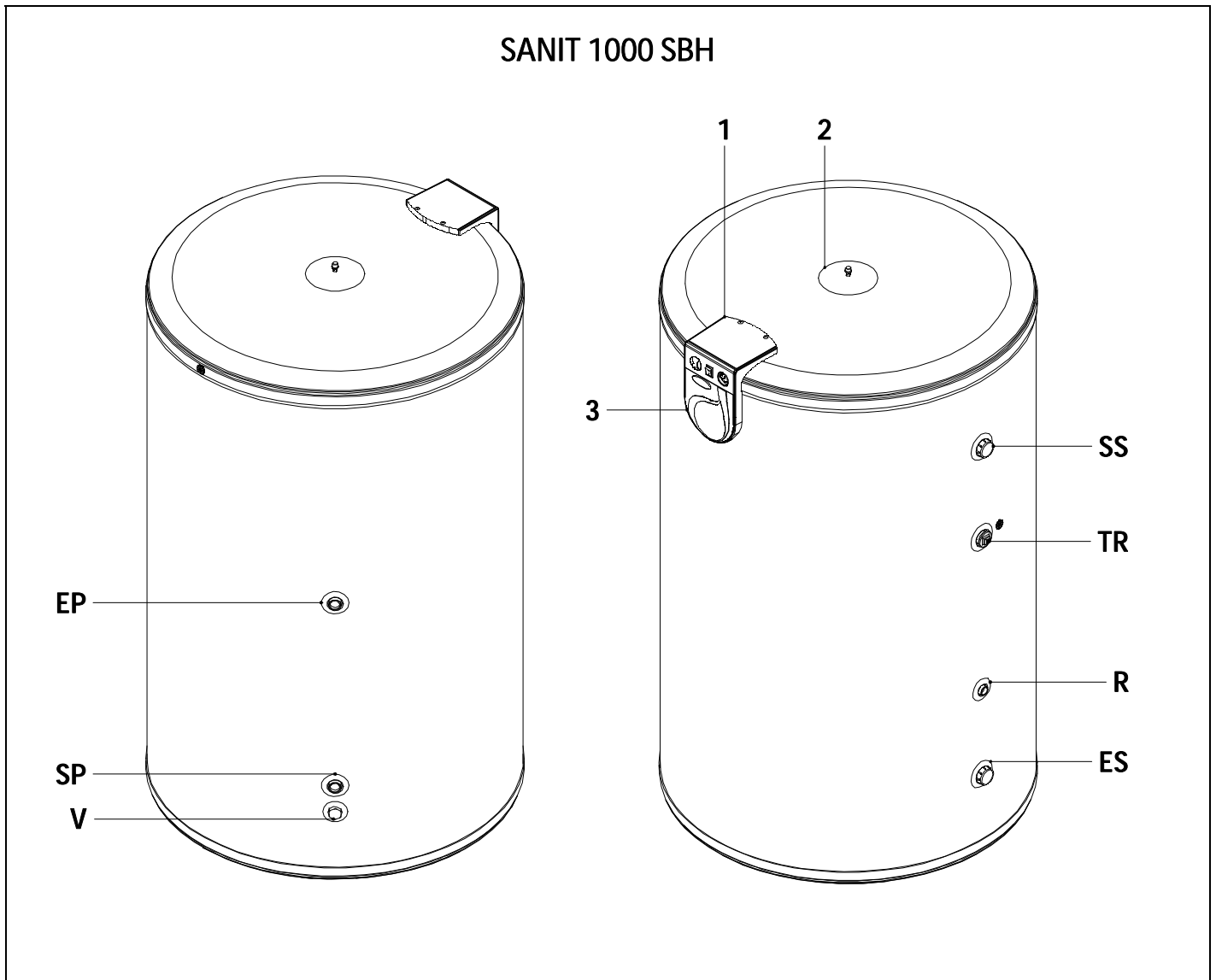
SANIT 1000



- 1.- Front cover.
- 2.- Bridge cover.
- 3.- Control panel.
- 4.- Lateral cover..

- SP: Primary outlet.
- EP: Primary inlet.
- ES: Domestic cold water inlet.
- SS: Domestic hot water outlet.
- TR: Resistance socket.
- R: Recirculation intake.
- V: Drainage.

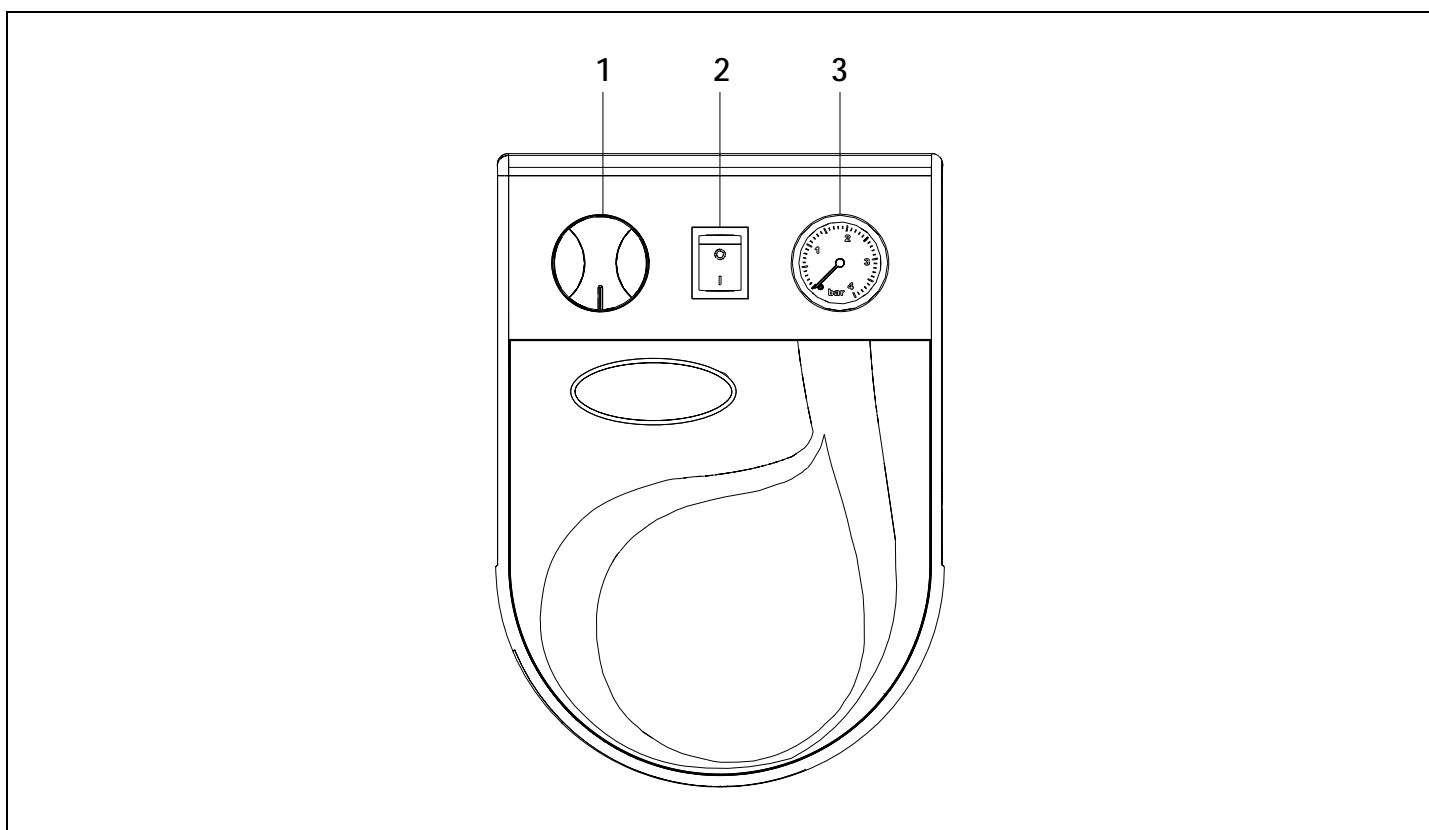
SANIT 1000 SBH



- 1.- Front cover.
- 2.- Bridge cover.
- 3.- Control panel.

- SP: Primary outlet.
- EP: Primary inlet.
- ES: Domestic cold water inlet.
- SS: Domestic hot water outlet.
- TR: Resistance socket.
- R: Recirculation intake.
- V: Drainage.

3 CONTROL COMPONENTS



1. Adjustment thermostat:

This control is for adjusting the desired temperature of the hot water stored in the tank.

2. Element switch:

This is for starting up and stopping the optional back-up element of the hot water tank.

3. Thermometer:

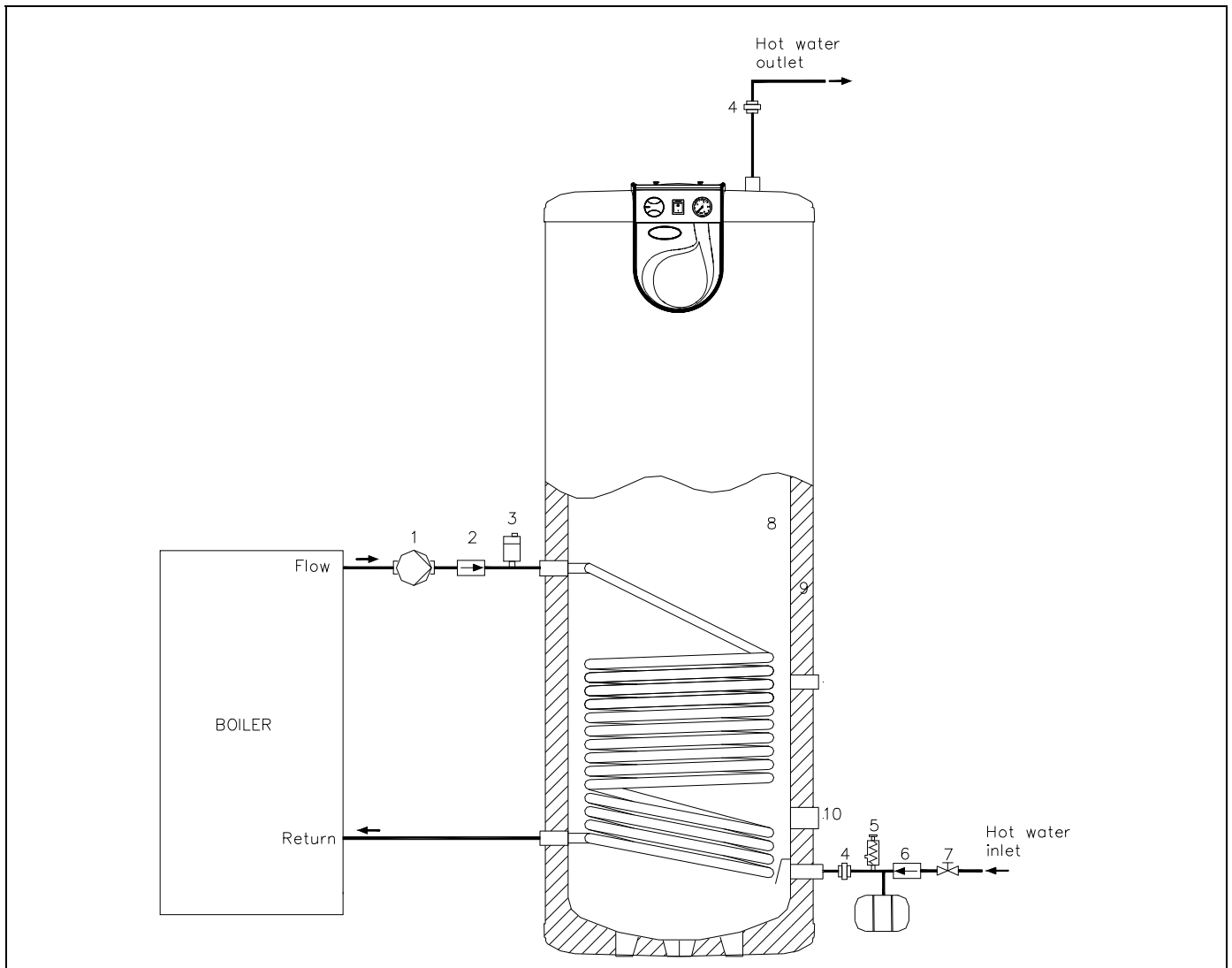
This indicates the temperature of the hot water stored in the tank.

4 INSTALLATION INSTRUCTIONS

The **Sanit** range of hot water tanks has been specially designed for installation and hydraulic connection to a wide range of heating boilers.

4.1 Connection

The diagram below shows an example of the installation of **Sanit** hot water tanks with a heating boiler:



4.2 Equipment:

- | | |
|-----------------------------------|-------------------------------------|
| 1.- Feed pump. | 7.- Shut-off valve. |
| 2.- Non-return valve. | 8.- Stainless steel hot water tank. |
| 3.- Automatic drain valve. | 9.- Polyurethane insulation. |
| 4.- Dielectric sleeve. | 10.- Resistance socket. |
| 5.- 0,7 MPa (7 bar) safety valve. | |
| 6.- Non-return valve. | |

Sanit

4.3 Hydraulic installation

Sanit hot water tanks are prepared to be permanently connected to domestic water supply network, by means of DHW inlet. The maximum pressure admitted is specified in "Technical characteristics" chapter.

The hydraulic installation must be made by qualified technicians, in compliance with current installation regulations and taking the following recommendations into account:

- The secondary circuit (or domestic water circuit) is to be equipped with a safety valve, calibrated to a maximum of 0,7 MPa (7 bar).
- The safety valve outlet must always lead to a drain.
- To avoid continuous leaking from the D.H.W. safety valve, we recommend the installation of a D.H.W. expansion cell.
- The primary circuit (or heating circuit) for tanks must be provided with a safety valve, calibrated to a maximum of 0,3 MPa (3 bar).
- **After installing the tank, firstly fill and pressurise the secondary circuit (domestic water circuit).**
- **After doing so, proceed to fill the primary circuit. Ensure the secondary circuit is full before filling the primary circuit.**
- Place dielectric sleeves on the secondary circuit connections.
- If the cold water pressure is higher than the pressure the appliance is designed for, a pressure reducer should be installed, calibrated to no higher than the design pressure.
- To prevent heat loss through the hot water pipes in accumulation systems, an anti-thermal siphon must be installed at the hot water tank outlet. The hot water pipe must be insulated (at least up to the anti-thermal siphon).
- A copper return circuit should not be used.
- When the chlorine concentration in the Domestic Water exceeds 250 mg/dm³, it is recommended that anti-corrosion protection should be applied to the inside of the inter-accumulator so as to avoid its premature deterioration. As an option DOMUSA TEKNIK supplies electronic cathodic protection that is suitable for the Sanit V inter-accumulator range. To install it, read carefully the assembly instructions that are provided with the same.

To drain the hot water tank, first drain the primary circuit and then the secondary circuit.

4.4 Location

The hot water tank must not be installed in a location exposed to the elements.

To optimise energy use, the hot water tank should be installed as close as possible to the hot water generator.

When choosing a location, take into account the weight of the full hot water tank, and make sure it is protected against frost. The pipes should be lagged in compliance with heating regulations.

For wall-mounted and horizontal installations, ensure the type of wall to which the hot water tank is fixed can withstand the weight of the tank when full, and choose the most suitable fixing system depending on the wall in question.

4.5 Equipment / options

Although Sanit units are equipped with all the necessary components for functioning, DOMUSA TEKNIK offers several optional components for cases in which special features are required.

4.5.1 Cathodic protection

If the chloride concentration in the domestic hot water is higher than 250 mg/cm^3 , we recommend installing a cathodic protection inside the storage heater to avoid premature wear to the hot water tank. **DOMUSA TEKNIK** optionally supplies a suitable electronic cathodic protection for its range of storage heaters. To install it, carefully read the assembly instructions supplied with the cathodic protection.

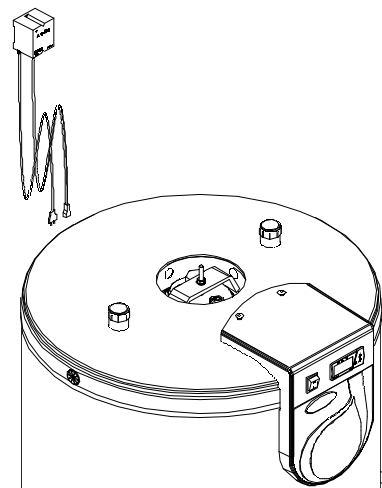


Figura 1

4.5.2 Electrical element

All Sanit hot water tanks have a socket for connecting an electrical element. **DOMUSA TEKNIK** optionally supplies three elements, of 1.5, 2.5 and 3.5 kW. To install them, carefully read the assembly instructions supplied with the elements.

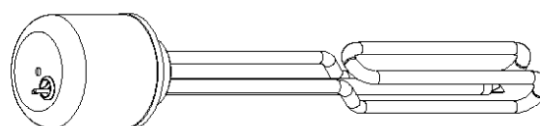


Figura 2

4.5.3 18L DHW expansion tank.

Due to the increase in the temperature of the hot water stored, the pressure in the hot water tank increases, and **DOMUSA TEKNIK** therefore optionally offers this DHW compensation tank for the Sanit 300, 500, 750 and 1000 models. To install the tank, carefully read the assembly instructions supplied with it.

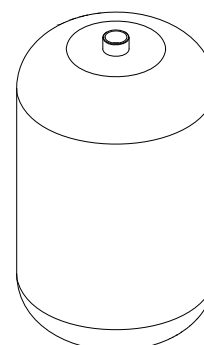


Figura 3

Sanit

4.5.4 1" dielectric sleeves

When the installation material is different from the hot water tank socket material, a galvanic couple may form, deteriorating the hot water tank. To prevent this from happening, **DOMUSA TEKNIK** recommends fitting dielectric sleeves to the secondary circuit connections if the main piping is not made of stainless steel. To install the dielectric sleeves, carefully read the assembly instructions supplied with them.

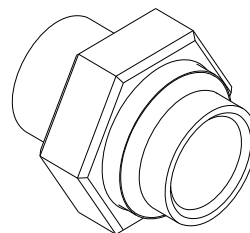


Figura 4

4.5.5 DHW safety valve

All Sanit hot water tanks are designed to work at a maximum DHW pressure of 0,7 MPa (7 bar). To prevent this pressure from being exceeded, **DOMUSA TEKNIK** recommends fitting a safety valve to the DHW circuit, calibrated to a maximum of 0,7 MPa (7 bar). The safety valve will always discharge into a drain. To install the valve, carefully read the assembly instructions supplied with it.

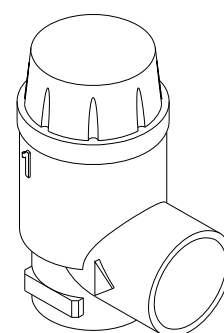


Figura 5

5 OPERATION

The **Sanit** range of hot water tanks is specially designed for use with a wide range of solar power elements, heat pumps and boilers powered by any type of fuel.

If the tank is connected to a DOMUSA TEKNIK brand heating boiler, the boiler will be equipped with a summer or winter position switch, which is used to choose between:

- **Summer position** ☀: in this position the boiler will only produce hot water as needed. The burner and feed pump of the storage heater (summer pump) will be switched on until the hot water stored reaches the temperature set on the hot water thermostat of the storage heater (2). When this temperature is reached, the burner and the summer pump will switch off.

- **Winter position** ❄: in this position the boiler will produce hot water as needed and will also cater for the heating installation, giving priority to hot water production.

6 DIAGRAM AND ELECTRICAL CONNECTION

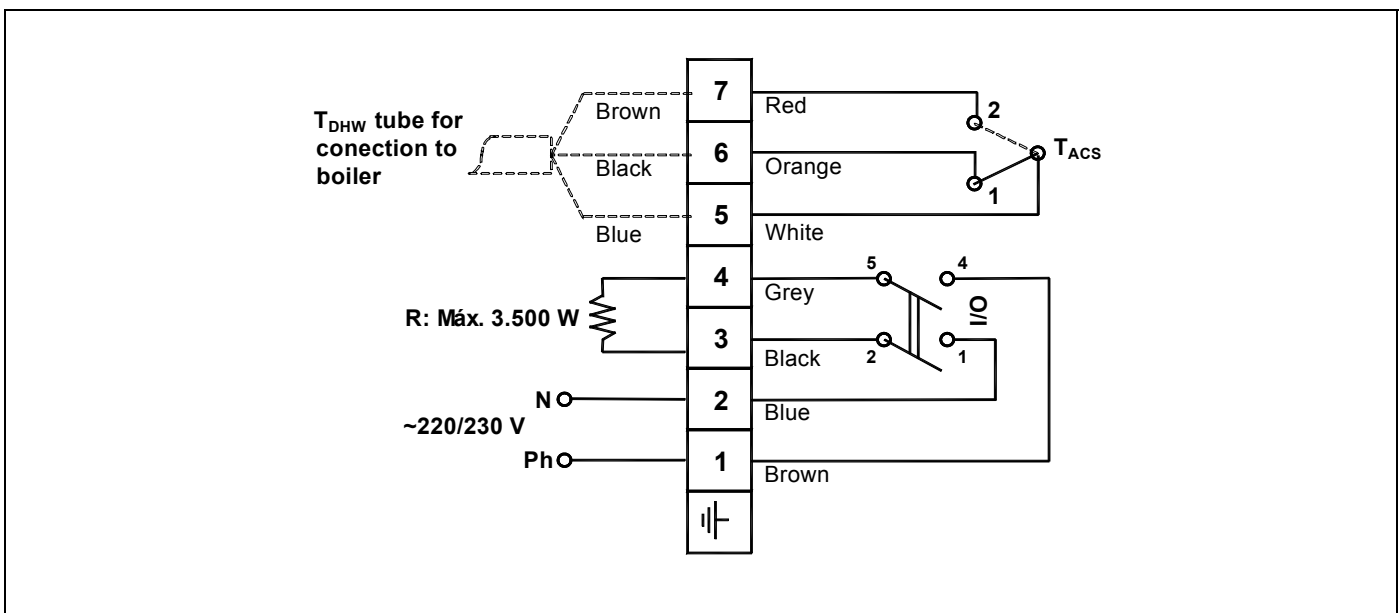
The **Sanit** range of hot water tanks is especially designed for easy electrical connection to a wide range of heating boilers. The special design of its electrical connections enables the boiler/hot water tank unit to provide heating and domestic hot water with automatic functioning, incorporating a hot water priority function to the joint operation of the two appliances.

When installing the supply cable, take the hot water tank element into account. Different tanks may have different elements, and a different cable diameter is recommended for each type:

Element	Cable diameter
1500w	1.5 mm ²
2500w	2.5 mm ²
3500w	4 mm ²

6.1 Electrical diagram

The electrical connection of **Sanit** hot water tank must be made by qualified staff, and any modifications may only be made by the official technical assistance service.



E: Support element, maximum 3500 W.

O/I: Support element switch.

T_{DHW}: Domestic hot water thermostat.

Sanit

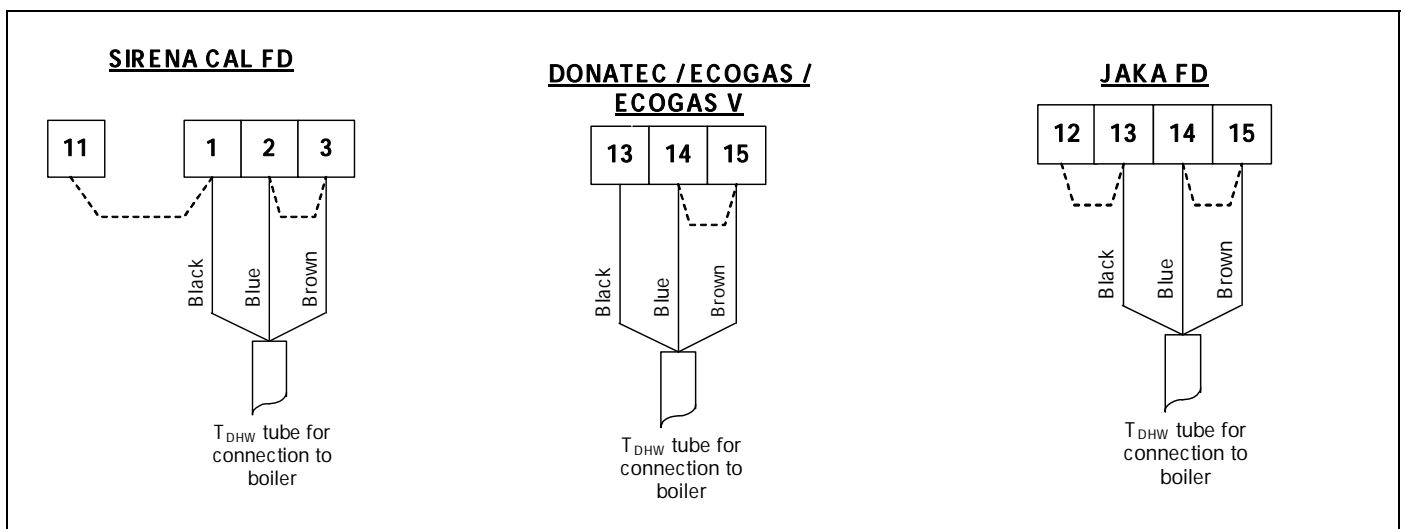
6.2 Electrical connection to the boiler

The electrical connection between **Sanit** hot water tanks and **DOMUSA TEKNIK** heating boilers is made by simply connecting the tube shown in the electrical diagram, i.e. the T_{DHW} tube.

Connect the tube to the side of the hot water tank as shown in the electrical diagram in section 5.1.

On the side of the boiler, connect the supply tube of the feed pump (1) mounted on the installation to the terminals bearing the letters "**BV**" (Summer Pump) according to the electrical diagram for each model of boiler (see the boiler instructions manual). To connect the T_{DHW} tube, first remove the bridges from the boiler connector block and then connect the T_{DHW} tube as shown in the figures below, depending on the boiler model.

6.3 Diagrams for connection to DOMUSA TEKNIK boilers:



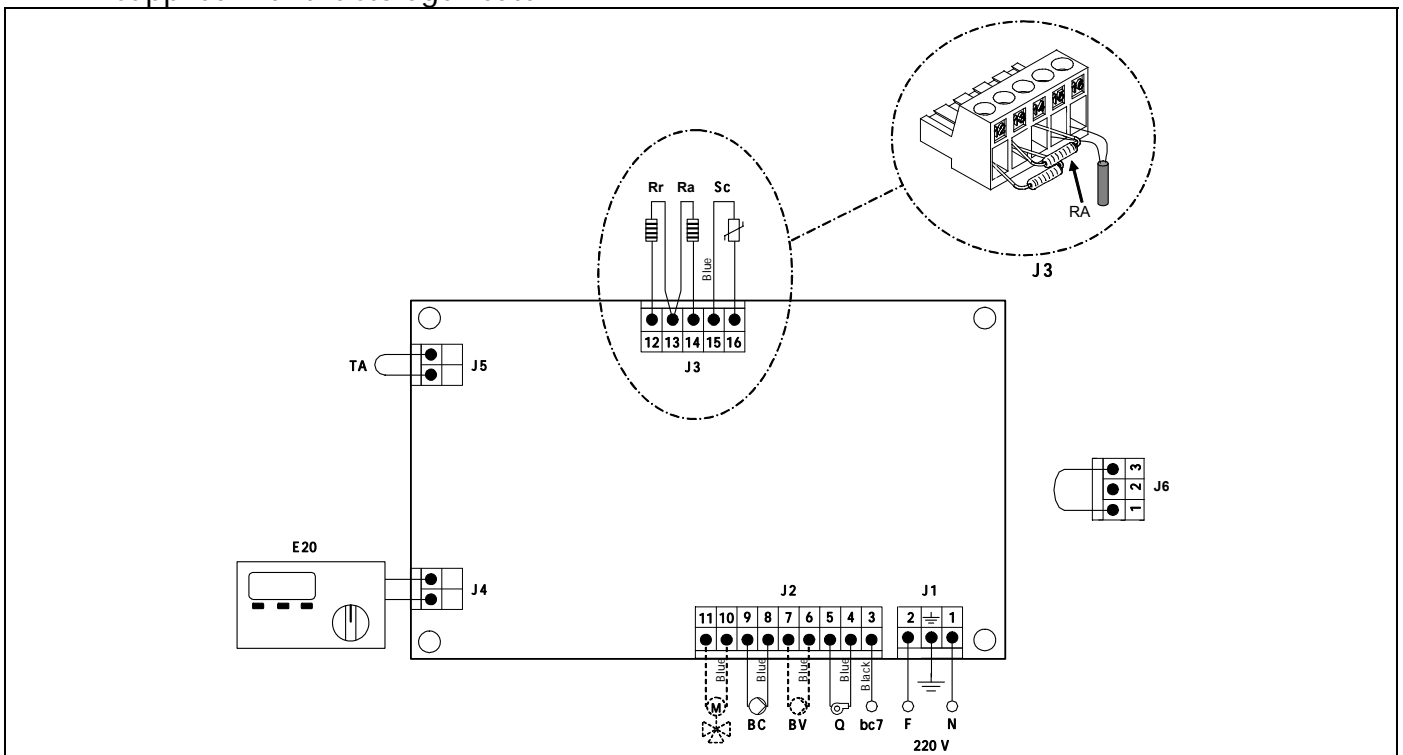
6.4 Instructions for electrical connection of the SANIT storage heater to the following boilers:

- Evolution EV FC
- Evolution EV AC
- Sirena Cal e
- Sirena Cal V e

The correct process for the electrical connection of the **SANIT** hot water storage heater to these boilers is as follows:

- Connect the hot water temperature sensor (supplied optionally) to the sensor connector block **J3 on the boiler** (terminals 13 and 14). To do this, first remove the element (**Ra**) supplied with it (see "Connection Diagram").
- Remove the thermostat bulb from the bulb-holder on the storage heater, and insert the temperature sensor bulb in its place.
- Connect the storage heater feed pump to the boiler supply connector block **J2** (terminals 6 and 7) (see the "Connection Diagram").

For a correct hydraulic installation, carefully follow the assembly and connection instructions supplied with the storage heater.



7 MAINTENANCE

To keep the boiler/hot water tank unit in perfect working order, both appliances should be inspected yearly by **DOMUSA TEKNIK** authorised technicians. In particular, the following are recommended:

- The inside of the hot water tank should be thoroughly cleaned once a year. The primary circuit should be drained first, before draining the hot water tank.
- If the hot water tank includes electronic cathode protection, this should be inspected once a year to ensure it is functioning correctly.
- The pressure of the primary installation must be kept between 0.1 and 0.15 MPa (1 and 1.5 bar).
- Make sure the safety valve and the drain valve are working correctly.
- If the installation has been out of use for a long time, check the hot water tank feed pump is working correctly. To do this, remove the front cover from the pump, leaving the pump shaft visible. If the shaft does not turn, disconnect the pump using the pump switch. Gently press the shaft down with a suitably sized screwdriver and turn it in both directions. Then connect the switch again.

It is recommended for the user to periodically check the pressure and temperature levels of the hot water tank and the state of the valves, connections and accessories.

8 START-UP

For the **guarantee to be valid**, the hot water tank must be started up by an **Official DOMUSA TEKNIK Technical Assistance Service**. Before starting it up, the following must be ensured:

- The electrical connection of the hot water tank is correctly made.
- The installation is filled with water and the draining has been done correctly.
- The drain valve is working properly.
- The primary flow and return connections and the hot and cold water connections have been correctly made.
- The thermostat has been properly adjusted and the electric cabling complies with regulations.
- There are no leaks from the splices and connections.

9 DELIVERY OF THE INSTALLATION

After the initial start-up of the appliance, the Technical Assistance Service will explain to the user how the hot water tank works, making any observations they consider relevant.

It is the responsibility of the installer to explain to the user the functioning of any control devices belonging to the installation and not supplied with the hot water tank.

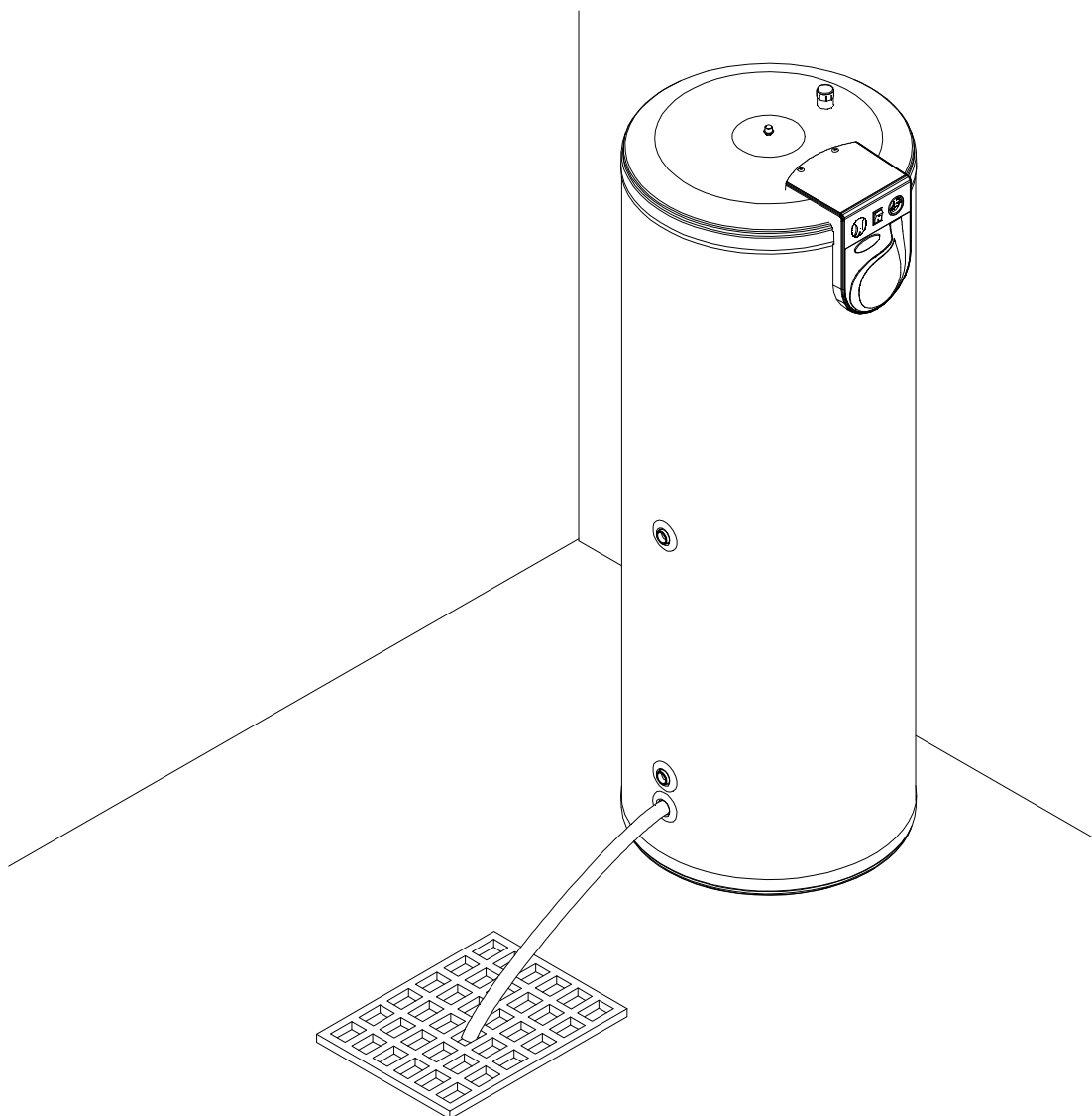
10 DRAINING THE TANK

To drain the tank **Sanit 300/500/750/1000**, remove the brass plug, then connect a hose to the drain socket on the bottom of the tank.

Check the hose is correctly connected to the tank drain socket.

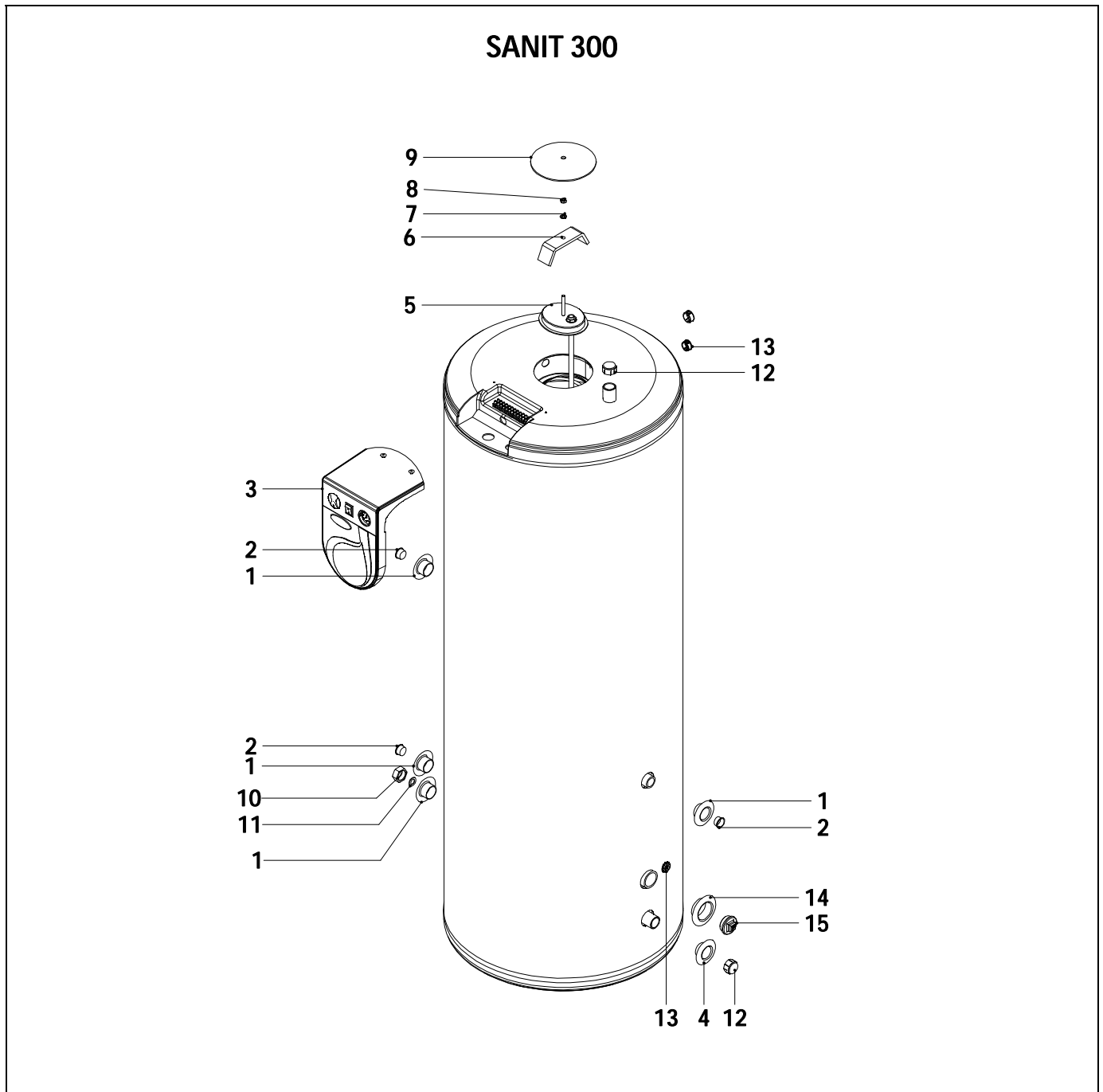
Run the hose to a nearby floor drain. This must be at a lower level than the tank. Begin the suction process so that the water begins to flow, and wait until it drains completely.

SANIT 300 / 500 / 750 / 1000



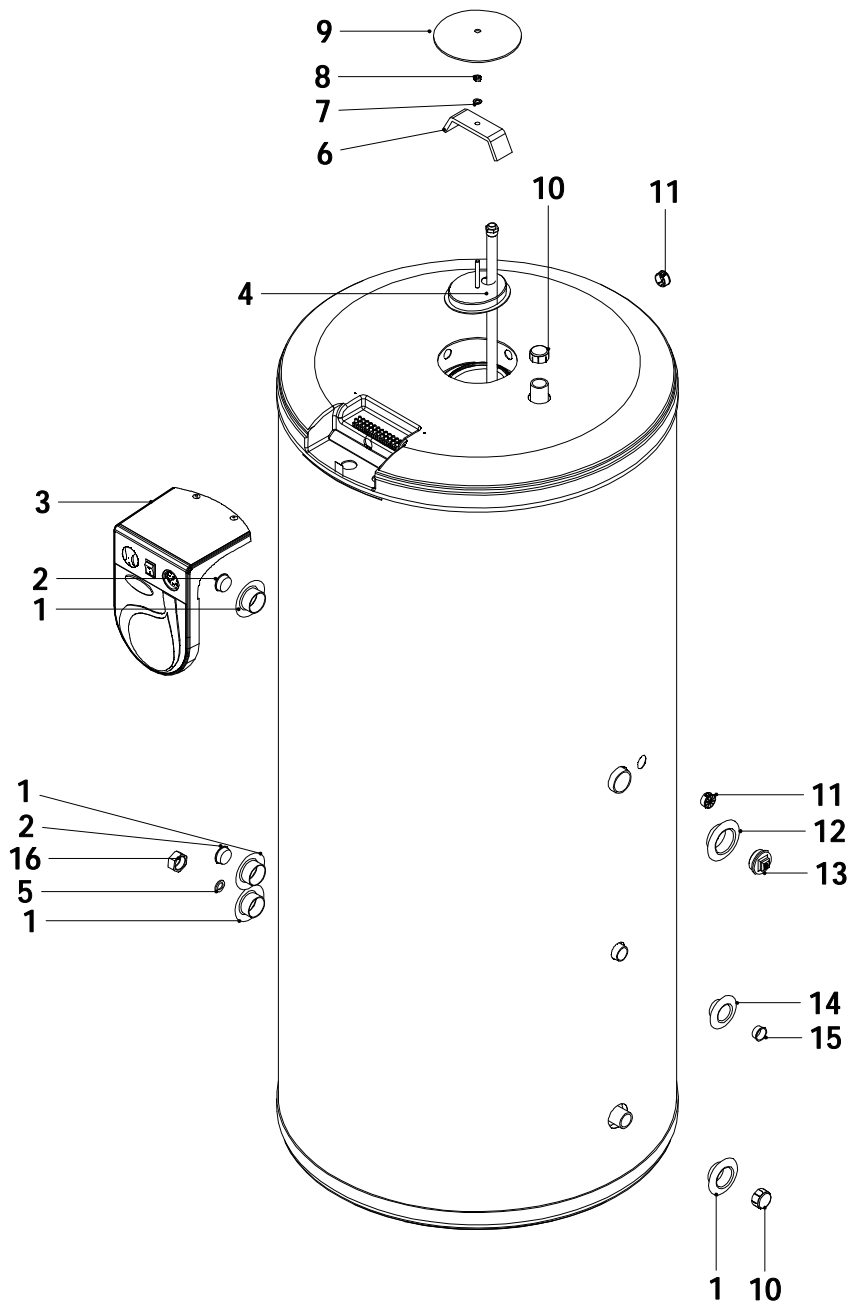
11 SPARES LIST

11.1 Hot water tank



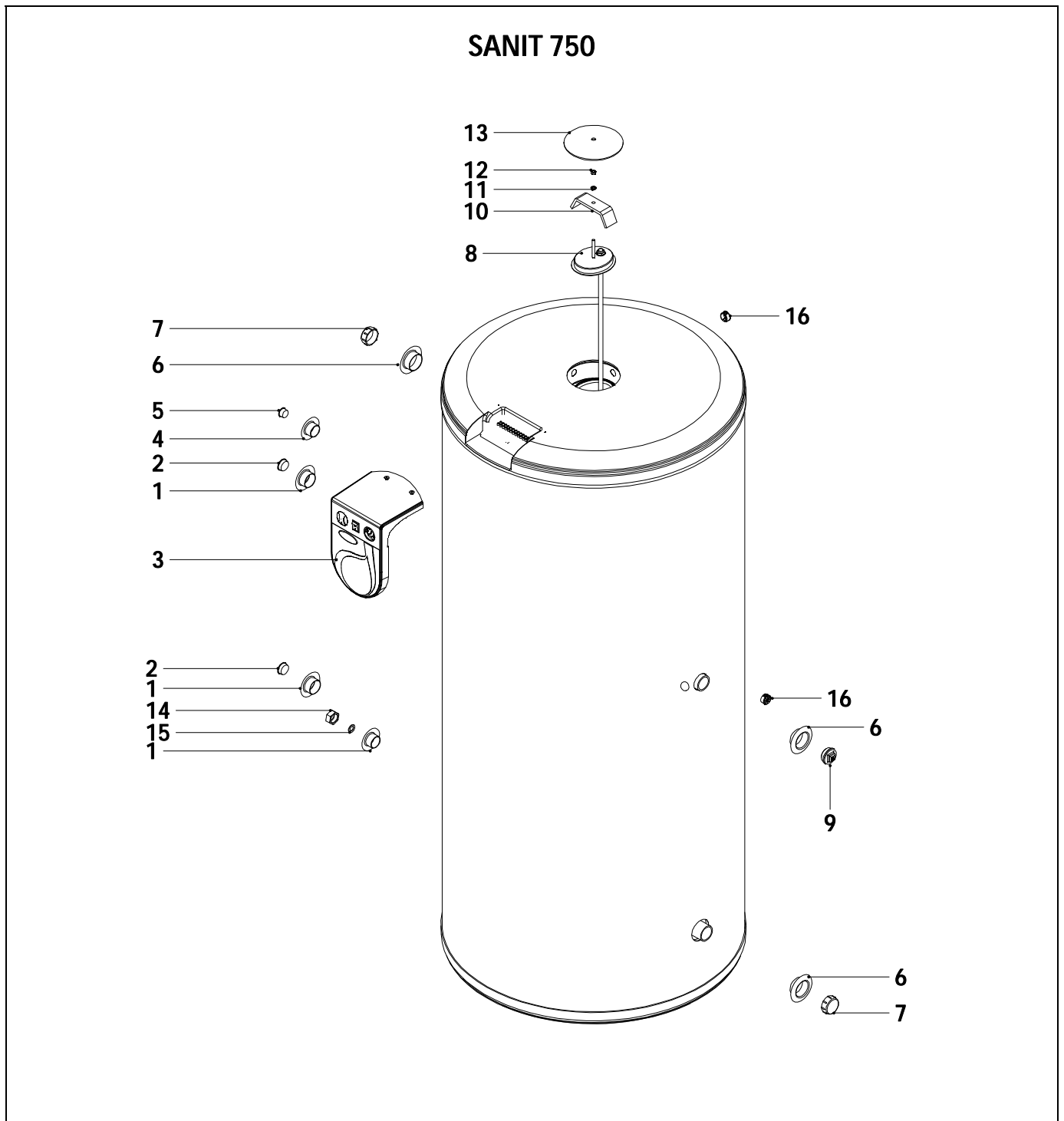
<u>Pos.</u>	<u>Code</u>	<u>Name</u>	<u>Pos.</u>	<u>Code</u>	<u>Name</u>
1	CFER000085	¾" black embellisher	9	CACU000038	Bridge cover
2	CFER000082	¾" tapered plug	10	CFOL000037	Brass plug
3	GELESAN008	Electrical board	11	MVAR010027	Seal
4	CFER000086	1" black embellisher	12	CFER000008	1" red plug
5	SCON000090	Elliptical plug	13	CFER000083	Seal
6		Bridge	14	CFER000087	1 ¼" black embellisher
7		M8 washer	15	CFOL000020	1 ¼" chromed plug
8		M8 nut			

SANIT 500



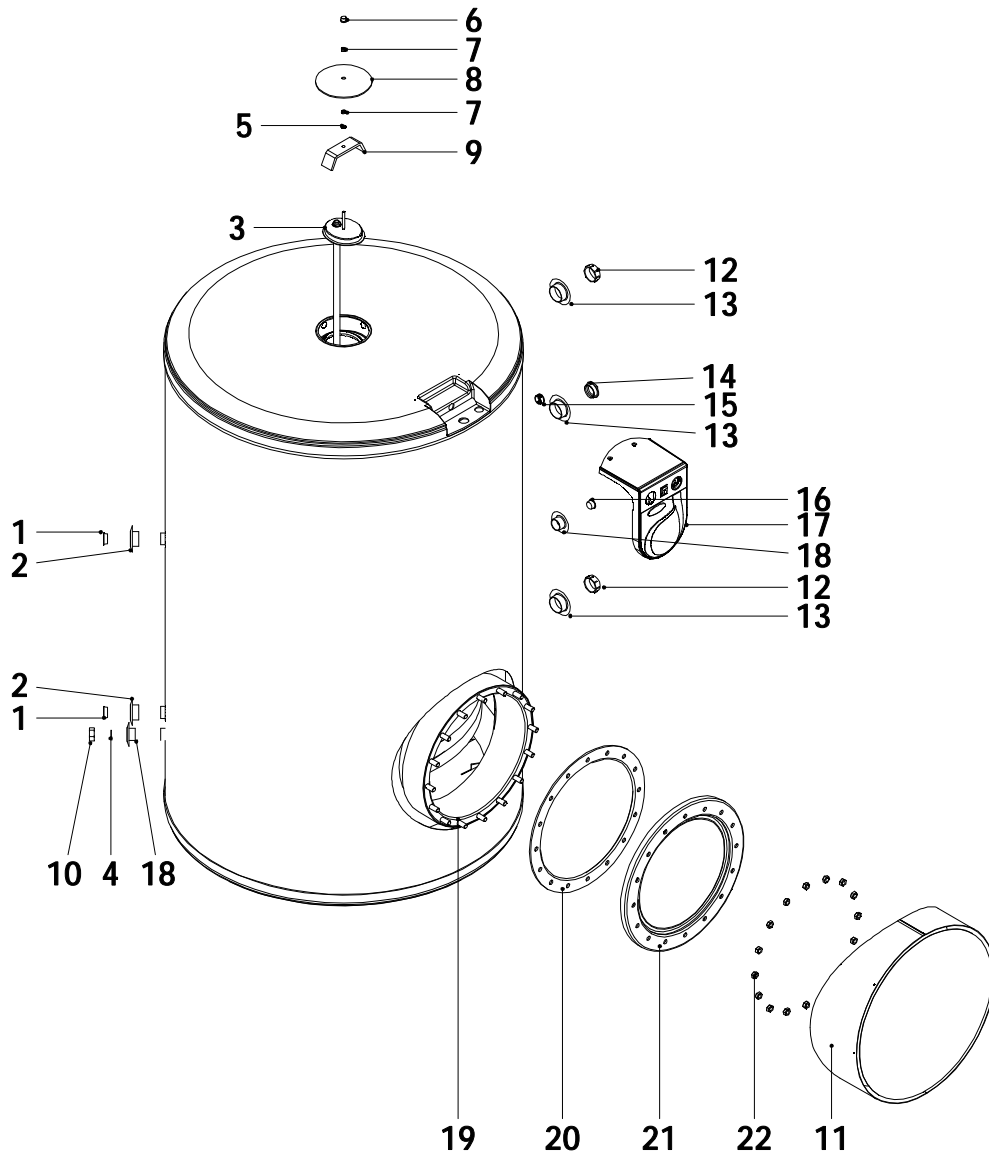
Pos.	Código	Denominación
1	CFER000086	1" black embellisher
2	CFER000081	1" tapered plug
3	GELESAN008	Electrical board
4	SCON000090	Elliptical plug
5	MVAR010027	Seal
6		Bridge
7		M8 washer
8		M8 nut

Pos.	Código	Denominación
9	CACU000038	Tapa puente
10	CFER000008	1" red plug
11	CFER000083	Seal
12	CFER000087	1" ¼ black embellisher
13	CFOL000020	1 ¼" chromed plug
14	CFER000085	¾" black embellisher
15	CFER000082	¾" tapered plug
16	CFOL000037	Brass plug



Pos.	Código	Denominación	Pos.	Código	Denominación
1	CFER000086	1" black embellisher	10		Bridge
2	CFER000081	1" tapered plug	11		M8 washer
3	GELESAN008	Electrical board	12		M8 nut
4	CFER000085	3/4" black embellisher	13	CACU000038	Cover bridge
5	CFER000082	3/4" tapered plug	14	CFOL000037	Brass plug
6	CFER000087	1" 1/4 black embellisher	15	MVAR010027	Seal
7	CFER000080	1 1/2" red plug	16	CFER000083	Press tow
8	SCON000430	Elliptical plug			
9	CFOL000020	1 1/4" chromed plug			

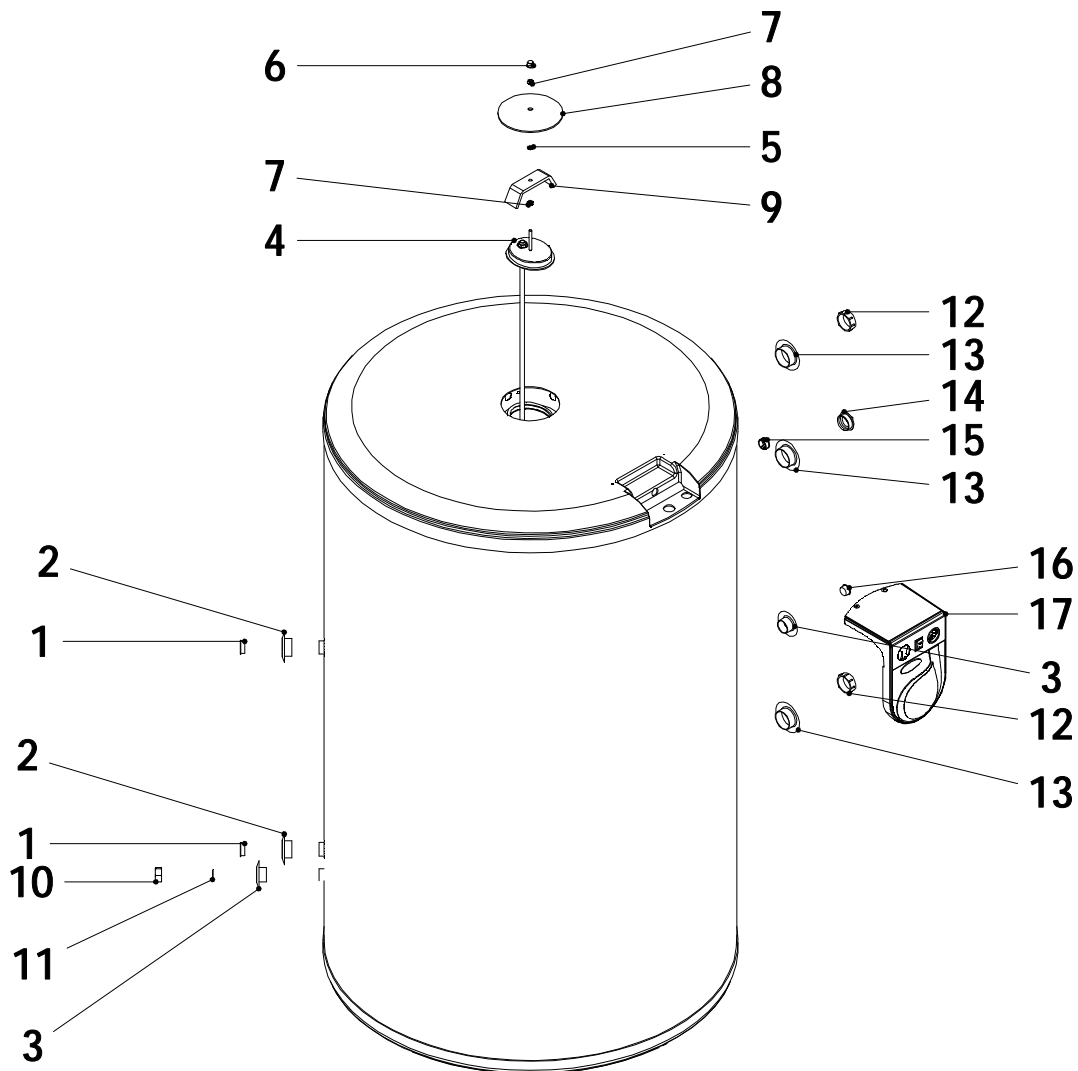
SANIT 1000



<u>Pos.</u>	<u>Código</u>	<u>Denominación</u>
1	CFER000081	1" tapered plug
2	CFER000086	1" tapered plug
3	SCON000090	Elliptical plug
4	MVAR010027	Seal
5		M8 washer
6	CFER000060	M8 Nut cover
7		M8 nut
8	CACU000038	Cover bridge
9		Bridge
10	CFOL000037	Brass plug
11		Lateral cover

<u>Pos.</u>	<u>Código</u>	<u>Denominación</u>
12	CFER000080	1 ½" red plug
13	CFER000087	1" ¼ black embellisher
14	CFOL000020	1 ¼" chromed plug
15	CFER000083	Seal
16	CFER000082	¾" tapered plug
17	GELESAN008	Electrical board
18	CFER000085	¾" black embellisher
19		M12 Screw
20		Lateral joint
21		Lateral inox. cover
22		M12 Nut

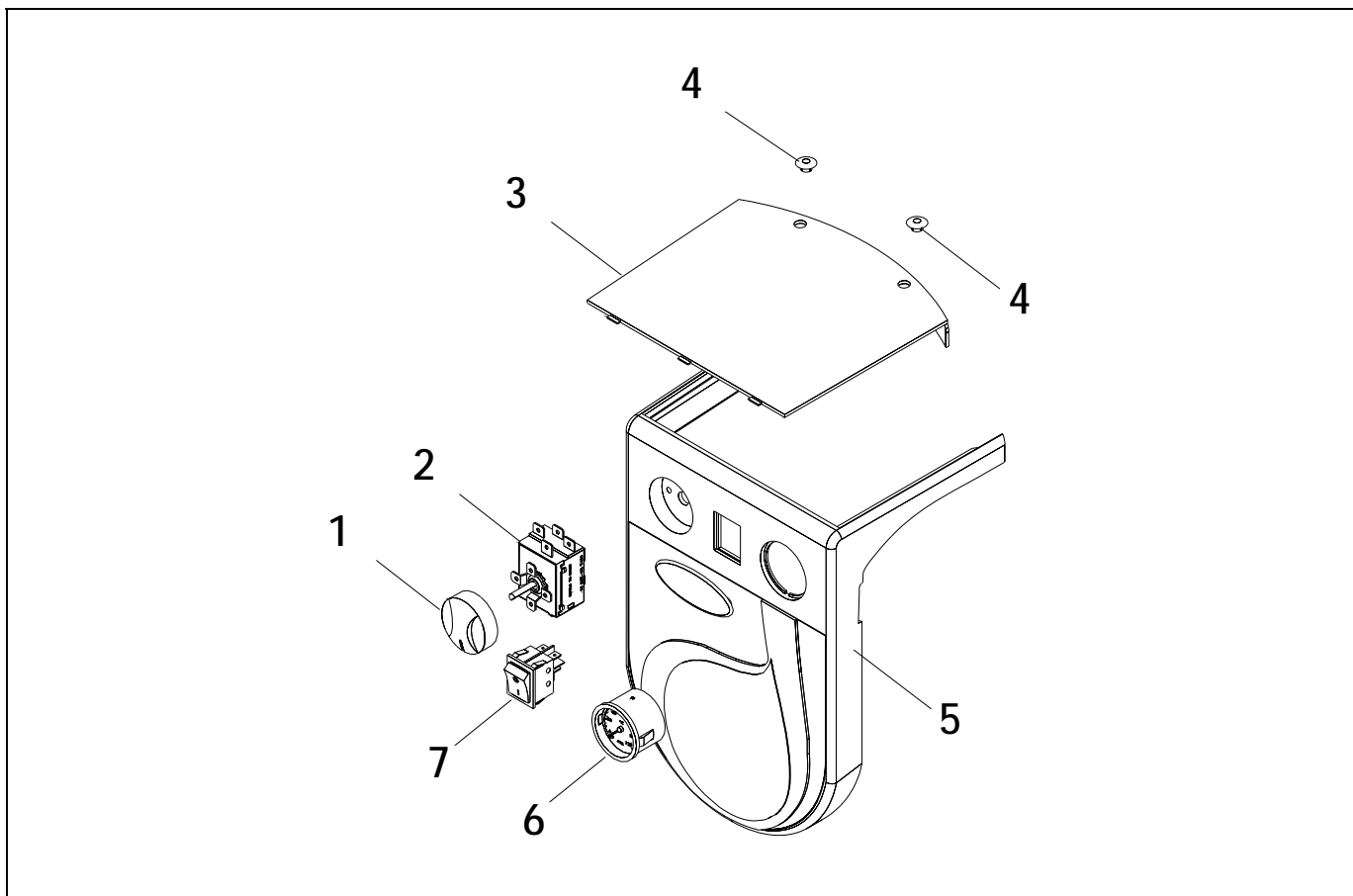
SANIT 1000 SBH



Pos.	Código	Denominación
1	CFER000081	1" tapered plug
2	CFER000086	1" tapered plug
3	CFER000085	¾" black embellisher
4	SCON000090	Elliptical plug
5		M8 washer
6	CFER000060	M8 Nut cover
7		M8 nut
8	CACU000038	Cover bridge
9		Bridge
10	CFOL000037	Brass plug

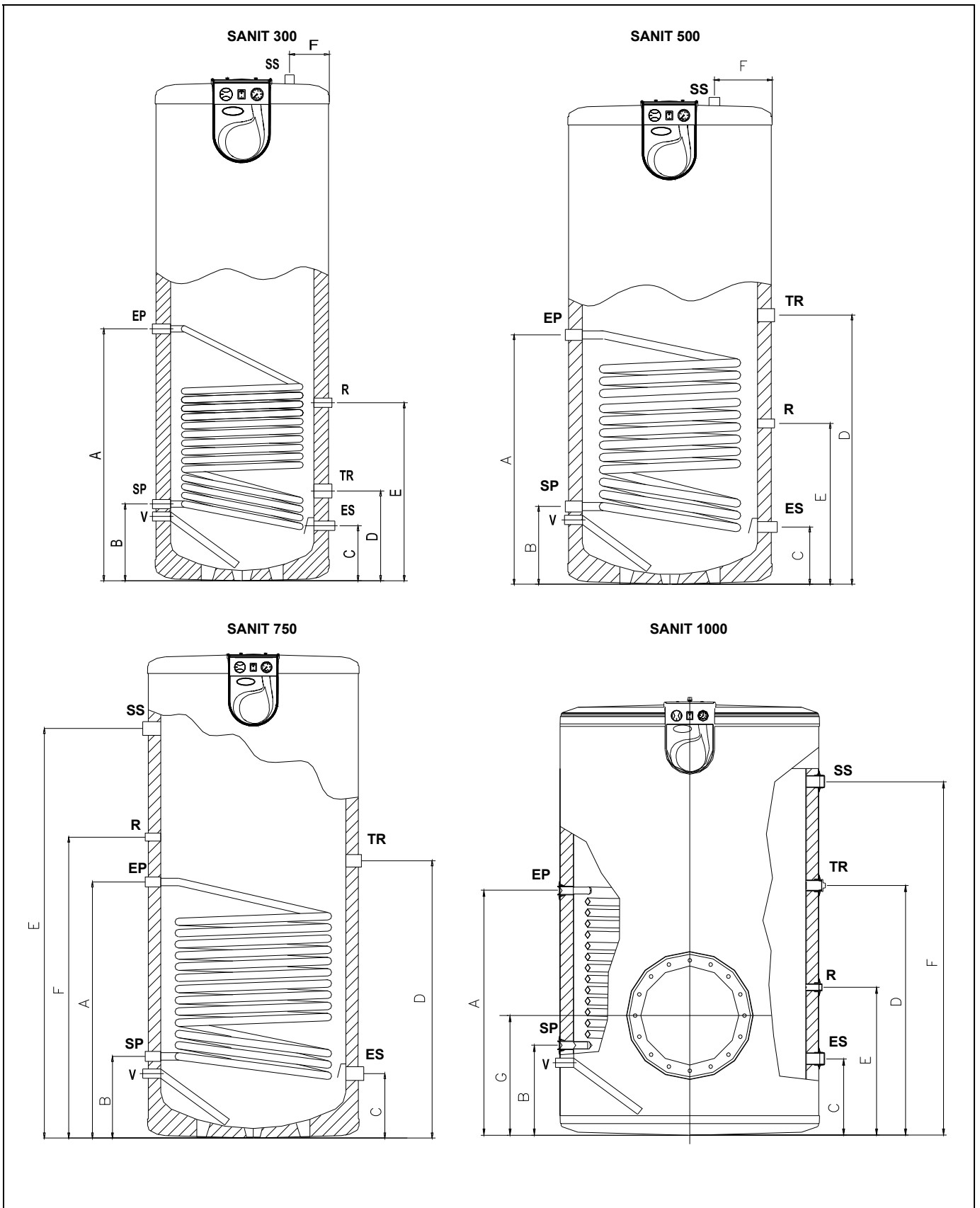
Pos.	Código	Denominación
11	MVAR010027	Seal
12	CFER000080	1 ½" red plug
13	CFER000087	1" ¼ black embellisher
14	CFOL000020	1 ¼" chromed plug
15	CFER000083	Seal
16	CFER000082	¾" tapered plug
17	GELESAN008	Electrical board

Electrical board



<u>Pos.</u>	<u>Code</u>	<u>Name</u>	<u>Pos.</u>	<u>Code</u>	<u>Name</u>
1	CELC000099	Knob	5	CACU000035	Control panel
2	CELC000007	Control thermostat	6	CELC000136	Thermometer
3	CACU000036	Control panel cover	7	CELC000025	Switch
4	CACU000037	Control panel plug			

12 DIAGRAMS AND MEASUREMENTS



MODEL		Sanit 300	Sanit 500	Sanit 750	Sanit 1000	Sanit 1000 SBH
A	mm	870	914	1024	989	989
B	mm	265	284	324	363	363
C	mm	190	209	255	307	307
D	mm	310	987	1109	1008	1008
E	mm	615	589	1640	597	597
F	mm	---	---	1205	1427	1427
G	mm	---	---	---	483	---
H	mm	184	---	255	---	---
Base measurement	mm	Ø 608	Ø 758	Ø 858	Ø 1058	Ø 1058
Height measurement	mm	1758	1798	1941	1768	1768
Recirculation intake	R Ø	¾" H	¾" H	¾" H	¾" H	¾" H
Cold water inlet	ES Ø	¾" M	1" M	1-1/2" M	1-1/2" M	1-1/2" M
Hot water outlet	SS Ø	¾" M	1" M	1-1/2" M	1-1/2" M	1-1/2" M
Primary inlet / outlet	EP/SP Ø	¾" H	1" H	1" M	1" M	1" M
Resistance intake	TR Ø	1-1/4" H	1-1/4" H	1-1/4" H	1-1/4" H	1-1/4" H
Drainage	V Ø	¾" M	¾" M	¾" M	¾" M	¾" M

13 TECHNICAL CHARACTERISTICS

MODEL		Sanit 300	Sanit 500	Sanit 750	Sanit 1000	Sanit 1000 SBH
Characteristics						
Installation		Floor				
Total volume	L	300	500	745	1000	1000
Max. Storage temperature	°C	70	70	70	70	70
Max. working pressure of hot water tank	MPa	0.7	0.7	0.7	0.7	0.7
	bar	7	7	7	7	7
Max. primary temperature	°C	85	85	85	85	85
Max. primary working pressure	MPa	1	1	1	1	1
	bar	10	10	10	10	10
Empty weight	Kg	74	120	166	240	240
Full weight	Kg	374	620	916	1240	1240
Functioning						
Continuous flow l/h $\Delta 30^\circ$	Q_p 1m ³ /h	1077	1370	2213	2582	2582
	Q_p 3m ³ /h	1117	1537	2481	2896	2896
	Q_p 5m ³ /h	1168	1582	2555	2981	2981
Peak flow l/10min $\Delta 30^\circ$	Q_p 1m ³ /h	680	1061	1619	2096	2096
	Q_p 3m ³ /h	686	1089	1664	2149	2149
	Q_p 5m ³ /h	695	1097	1679	2163	2163
Flow up to 1 hour l/h $\Delta 30^\circ$	Q_p 1m ³ /h	1577	2203	3463	4248	4248
	Q_p 3m ³ /h	1617	2370	3731	4562	4562
	Q_p 5m ³ /h	1668	2415	3805	4647	4647
Transmitted power kW	Q_p 1m ³ /h	38	48	77	86	86
Transmitted power kW	Q_p 3m ³ /h	39	54	87	97	97
Transmitted power kW	Q_p 5m ³ /h	41	55	89	101	101

14 GUARANTEE CONDITIONS

DOMUSA TEKNIK's **commercial guarantee**^(*) covers the regular functioning of the products manufactured by DOMUSA Calefacción S.Coop. in accordance with the following conditions and validity periods:

1. This **commercial guarantee**^(*) is valid for the following periods, as from the **start-up** date:

2 Years for electric and hydraulic elements: pumps, valves, etc.

5 Years for domestic hot water tanks.

For a period of 2 years from the start-up date, DOMUSA TEKNIK will carry out any repairs of original flaws or defects totally free of charge.

After these 2 years have elapsed, until the end of the guarantee period, labour costs and call-out charges will be payable by the user.

2. The annual inspection is not included in the terms of this guarantee.

3. The **start-up** and **annual inspection** are to be carried out by personnel authorised by DOMUSA TEKNIK.

4. The **commercial guarantee**^(*) will be null and void in the following cases:

- If the **annual inspection** by DOMUSA TEKNIK authorised personnel has not been carried out.

- If the boiler has not been installed in accordance with the applicable laws and regulations concerning this type of appliance.

- If the boiler has not been started up immediately after its installation, by personnel authorised by DOMUSA TEKNIK.

Failures arising due to misuse or incorrect installation, use of unsuitable power, supply with water with physical or chemical properties causing incrustation or corrosion, incorrect handling of the appliance and, in general, for any reason beyond DOMUSA TEKNIK's control, are excluded from this guarantee.

This guarantee does not affect the consumer's rights as stipulated by law.

Note: The start-up is included in the price of the boiler. **The call-out charge is not included.**

(*) Guarantee conditions valid for Spain and Portugal only.

DOMUSA

T E K N I K

UK ADDRESS

Unit D4 Stanlaw Abbey Business Centre,
Ellesmere Port, CH65 9BF
Tel: 0151 909 6222

HEADQUARTERS & FACTORY

Bº San Esteban s/n
20737 ERREZIL (Gipuzkoa)
Tel: (+34) 943 813 899

www.domusateknik.com

DOMUSA TEKNIK reserves the right to make modifications of any kind to its product characteristics without prior notice.



CDOC000222

03/17