

# CLIMA PLUS | CLIMA PLUS FD

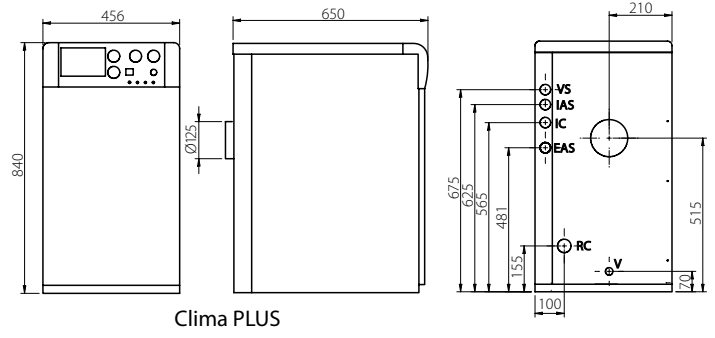


## Heating boiler + DHW

1 version: Heating and instantaneous DHW

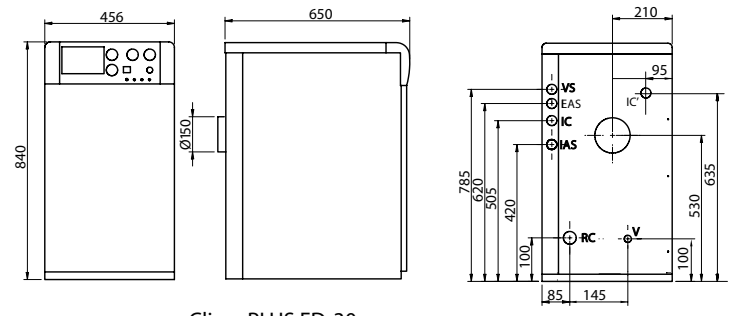
CLIMA PLUS: 28 kW heating performance

CLIMA PLUS FD: 29 kW heating performance



Clima PLUS

- VS: Safety valve 1/2"
- IC: Heating outlet 3/4"
- EAS: DHW inlet 1/2"
- IAS: DHW outlet 1/2"
- RC: Heating return 3/4"
- V: Drain cock



Clima PLUS FD-30

- VS: Safety valve 1/2"
- IC: Heating outlet 3/4"
- EAS: DHW inlet 1/2"
- IAS: DHW outlet 1/2"
- RC: Heating return 3/4"
- V: Drain cock
- IC': Optional heating outlet

Equipment		
Burner (with preheater)	Filling cock	DHW flow limit valve
Heating circulation pump	Connection room thermostat	Drain cock
Expansion vessel	Oil filter	Operating instructions
Safety valve	Hose for feed and return line	Warranty
Automatic air vent	Summer/winter switch	Package
Thermometer	Diverter valve	Connectors
Pressure gauge	Check valve	
Heating control thermostat	Heat exchanger	<b>Options</b>
Safety thermostat	Min. thermostat heating	Timer
General switch	Max. thermostat D.H.W.	Flue ducts (only for CLIMA PLUS FD)

Model	Heating input		Heating output		Primary water volume L	Weight kg	DHW production L/min	
	kW	kcal/h	kW	kcal/h			ΔT30°C	ΔT25°C
Clima PLUS	28.2	24,252	26.7	22,962	28	130	12.2	14.6
Clima PLUS FD-30	29.3	25,198	27.8	23,908	18	132	12.5	15

Options	
Analogue daily timer	
Flue ducts (only for CLIMA PLUS FD)	