

SANIT 100-250

10 years
guarantee
on tank

cylinders

DHW cylinders

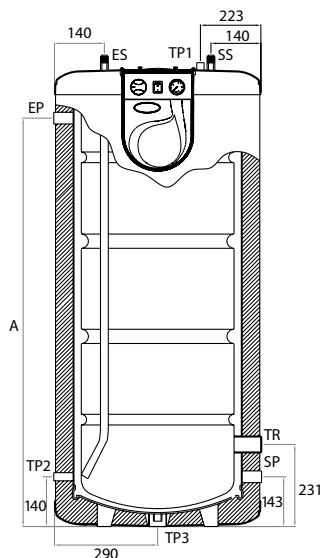
Stainless steel tank
Double covering



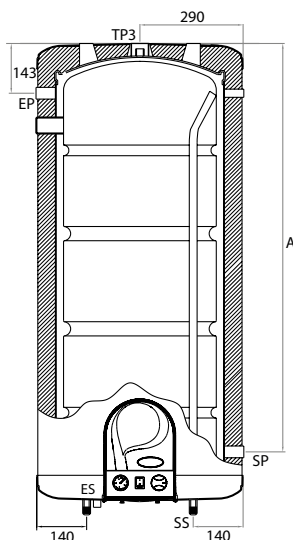
Model	Installation	Total capacity L	Flow rate L/h $\Delta 30^{\circ}\text{C}$			Peak flow L/10 min $\Delta 30^{\circ}\text{C}$			Flow up to 1 hour L/h $\Delta 30^{\circ}\text{C}$		
			Qp 1 m ³ /h	Qp 3 m ³ /h	Qp 5 m ³ /h	Qp 1 m ³ /h	Qp 3 m ³ /h	Qp 5 m ³ /h	Qp 1 m ³ /h	Qp 3 m ³ /h	Qp 5 m ³ /h
Sanit 100	floor / wall hung / horizontal	100	602	745	831	266	290	305	702	845	931
Sanit 150	floor / wall hung / horizontal	150	766	825	944	378	388	407	916	975	1,094
Sanit 200	floor / wall hung / horizontal	200	844	942	1,046	474	490	507	1,044	1,142	1,246
Sanit 250	floor / wall hung / horizontal	250	930	1,038	1,143	571	589	607	1,180	1,288	1,393

Options

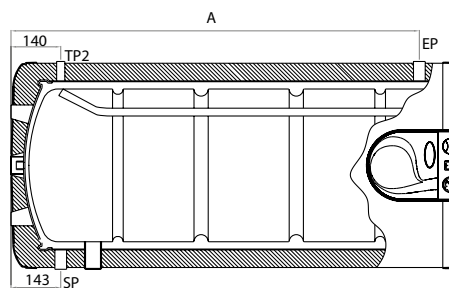
- DX Sanit cathodic protection (100, 150)
- V Sanit cathodic protection (200, 250)
- S200 hydraulic kit (for Sanit 100, 150, 200)
- Electric heating element 1.5 kW
- Electric heating element 2.5 kW
- Electric heating element 3.5 kW
- Wall hung support
- Elliptical cover with element socket



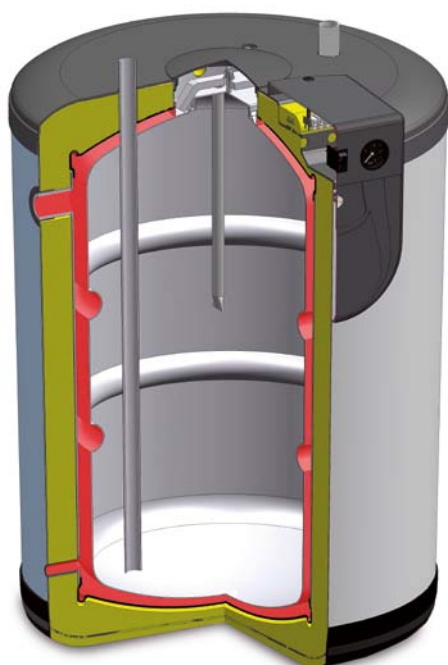
**STANDING FLOOR
INSTALLATION**



**WALL HUNG
INSTALLATION**



HORIZONTAL INSTALLATION



Dimensions		SANIT 100	SANIT 150	SANIT 200	SANIT 250
A	mm	611	891	1,191	1,491
B	mm	-	-	-	-
C	mm	-	-	-	-
Drain valve socket TP1	Ø 3/8" H	3/8" H	3/8" H	3/8" H	3/8" H
Drain valve socket TP2	Ø 3/8" H	3/8" H	3/8" H	3/8" H	-
Drain valve socket TP3	Ø 3/8" H	3/8" H	3/8" H	3/8" H	-
Base measurement	mm	Ø 581	Ø 581	Ø 581	Ø 581
Height measurement	mm	748	1,028	1,328	1,628
Return	RACS Ø	-	-	-	-
Cold water inlet	ES Ø	3/4" M	3/4" M	3/4" M	3/4" M
Hot water outlet	SS Ø	3/4" M	3/4" M	3/4" M	3/4" M
Primary inlet/outlet	EP/SP Ø	1" H	1" H	1" H	1" H
Immersion socket	R Ø	11/4" H	11/4" H	11/4" H	11/4" H

The technical design of the heat exchanger system incorporated to the models in this range enables them to achieve maximum thermal output together with improved efficiency and reduced recovery time for hot water production.

Energy saving is another aspect of vital importance to the design. The CFC-free high-thickness rigid polyurethane foam thermal insulation minimises heat loss from the hot water cylinder, providing it with a unique hot water storage capacity.

Model	SANIT 100	SANIT 150	SANIT 200	SANIT 250
Evolution FC	•	•	•	•
Evolution AC	•	•	•	•
Sirena CAL	•	•	•	•
Sirena CAL FD	•	•	•	•
Jaka FD	•	•	•	•

Equipment		
Thermometer	Options	
Regulable thermostat	S200 hydraulic kit:	Cathodic protection
On /off switch	Dielectric pipe unions	Electric heating element
	Safety group	Wall hung support
	Expansion vessel 8 L	Elliptical cover with element socket