

DS-COMPACT INOX

10
Years
Guarantee
on tank

solar

Solar hot water supply system with thermosiphon

Indirect exchanger
Selective solar collector
Stainless steel tank

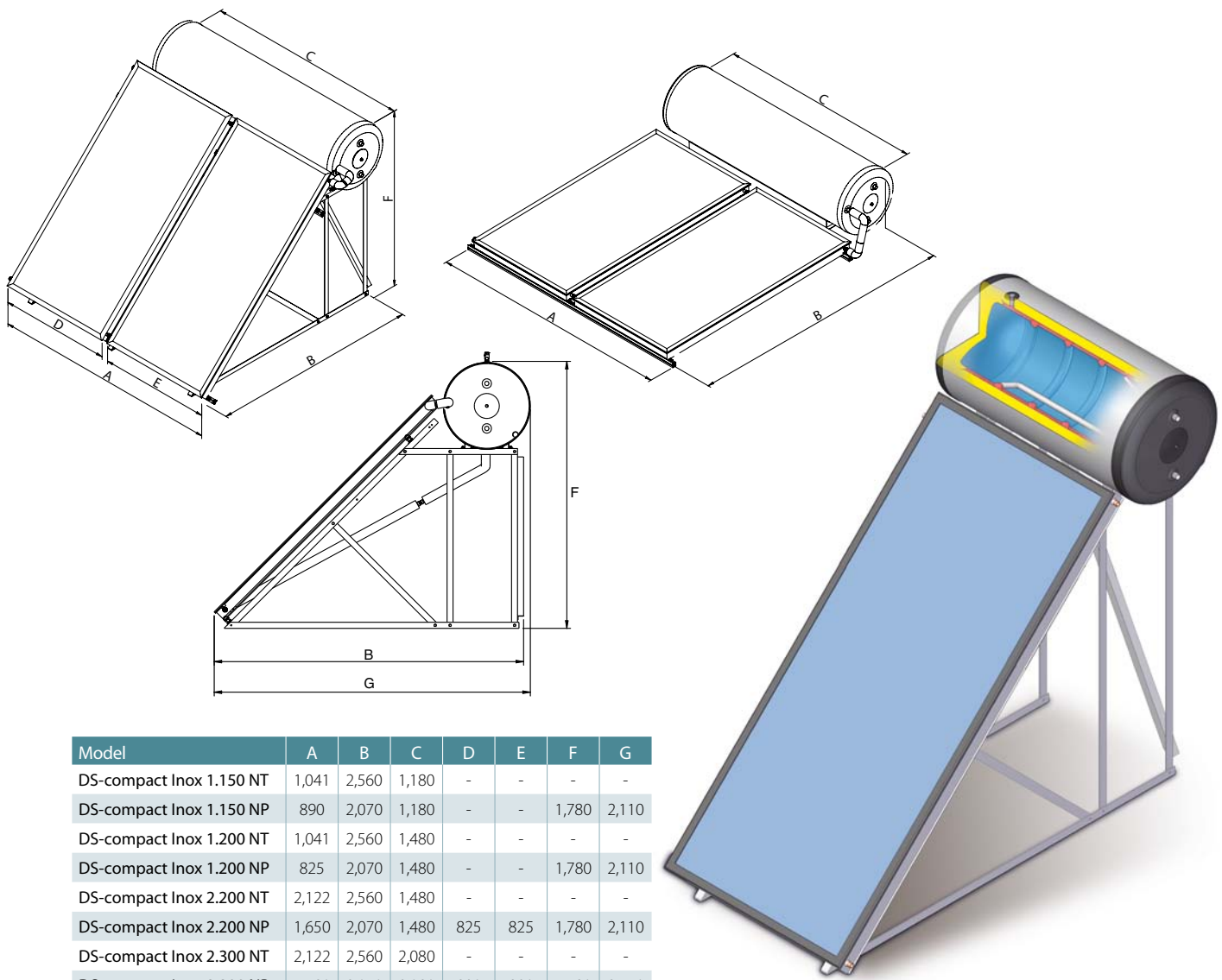


Integrated primary circuit
expansion system

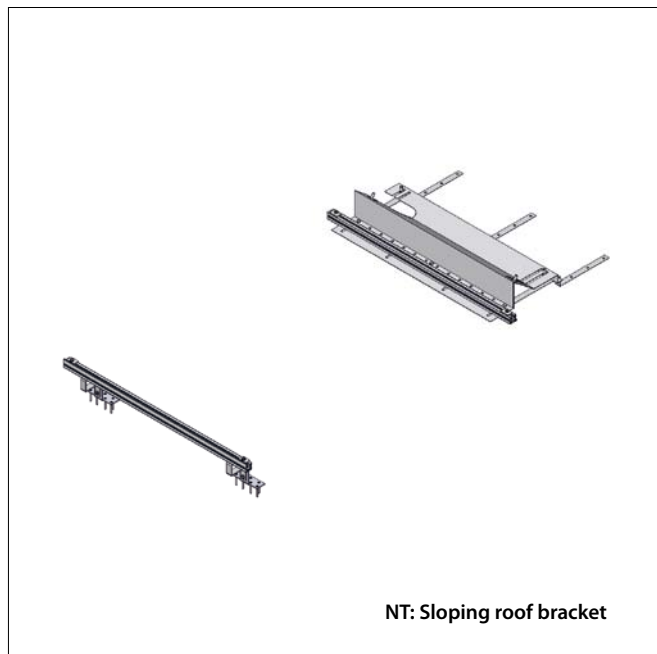
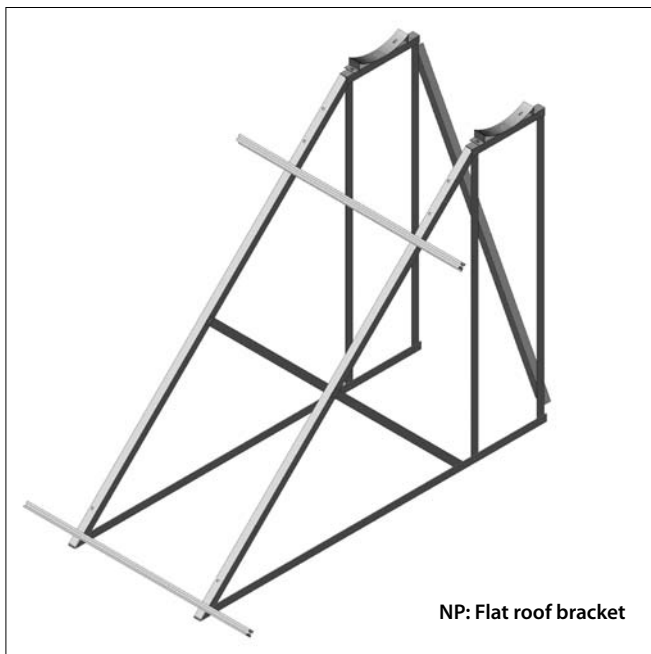
Model	Installation	Vol. tank L	Tank exchange surface m ²	Solar exchanger surface m ²	Absorption α	Transmissivity of glass	N° Collectors	Weight kg
DS-Compact Inox 1.150 NT	Sloping roof bracket	150	1.06	1.88	95%	88.5%	1	97
DS-Compact Inox 1.150 NP	Flat roof bracket	150	1.06	1.88	95%	88.5%	1	103
DS-Compact Inox 1.200 NT	Sloping roof bracket	200	1.46	1.88	95%	88.5%	1	117
DS-Compact Inox 1.200 NP	Flat roof bracket	200	1.46	1.88	95%	88.5%	1	123
DS-Compact Inox 2.200 NT	Sloping roof bracket	200	1.46	3.76	95%	88.5%	2	159
DS-Compact Inox 2.200 NP	Flat roof bracket	200	1.46	3.76	95%	88.5%	2	169
DS-Compact Inox 2.300 NT	Sloping roof bracket	300	2.27	3.76	95%	88.5%	2	199
DS-Compact Inox 2.300 NP	Flat roof bracket	300	2.27	3.76	95%	88.5%	2	209

Options

- Electric heating element 1.5 kW
- Electric heating element 2.5 kW
- DHW relief valve
- DHW expansion vessel 8 L
- DHW expansion vessel 18 L
- 5 L anti-freezing liquid (100% concentration)



Model	A	B	C	D	E	F	G
DS-compact Inox 1.150 NT	1,041	2,560	1,180	-	-	-	-
DS-compact Inox 1.150 NP	890	2,070	1,180	-	-	1,780	2,110
DS-compact Inox 1.200 NT	1,041	2,560	1,480	-	-	-	-
DS-compact Inox 1.200 NP	825	2,070	1,480	-	-	1,780	2,110
DS-compact Inox 2.200 NT	2,122	2,560	1,480	-	-	-	-
DS-compact Inox 2.200 NP	1,650	2,070	1,480	825	825	1,780	2,110
DS-compact Inox 2.300 NT	2,122	2,560	2,080	-	-	-	-
DS-compact Inox 2.300 NP	1,780	2,070	2,080	890	890	1,780	2,110



DS Compact Inox			
Solar collector	Primary safety valve	Options	
Stainless steel tank	Complete brackets	DHW relief valve	DHW expansion vessel 8 L
		Electric heating element 1.5 kW	DHW expansion vessel 18 L
		Electric heating element 2.5 kW	5 L anti-freezing liquid